

**IMPORTANT: RECEIVING INSTRUCTIONS:** Visually inspect all components for shipping damage. If any shipping damage is found, notify carrier at once.

Shipping damage is NOT covered by warranty. The carrier is responsible for all repair or replacement costs resulting from damage in shipment.

# SAFETY FIRST

**IMPORTANT—USER SAFETY AND PROTECTION:** In setting up systems to fit your operations, care must be taken to select the proper components and design to insure appropriate integration with your operations and existing equipment and that all safety measures have been taken to avoid the risk of personal injury and property damage from your application or system.

**GB ELECTRICAL CANNOT BE RESPONSIBLE FOR DAMAGE OR INJURY CAUSED BY UNSAFE USE, MAINTENANCE OR APPLICATION OF ITS PRODUCTS.** Please contact GB ELECTRICAL for guidance when you are in doubt as to the proper safety precautions to be taken in designing and setting up your particular application.



**Prior to attaching the 1105A hose fitting to a CO<sub>2</sub> tank valve, be certain the tank valve is closed. CO<sub>2</sub> escaping under pressure will cause injury.**

## INSTALLATION

The 1105A operating valve and hose assembly consists of a 1225A operating valve and a 12 foot hose assembly. See Figure 1.

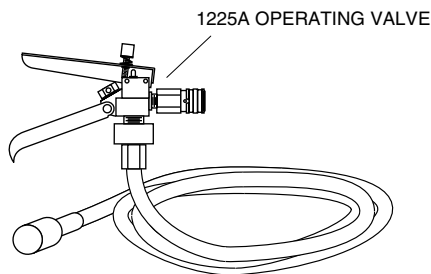


Figure 1  
1105A Operating Valve and Hose Assembly

Swaged fittings on the hose assembly are "factory installed" and are not replaceable. If hose or fittings are damaged, discard the hose assembly (UG12). The 1175A and 1180 coupling can be replaced.

For hoses longer than 12 feet remove 1180 coupling and connect UG12 to existing hose and replace 1180 coupling.

**NOTE:** The 1105A hose assembly is specifically designed for use on GB Model 950 and GB Model 1208 CO<sub>2</sub> tanks. Do not attempt to modify the 1105A valve and hose assembly to fit any other type of gas or compressed air tanks such as oxygen, acetylene, etc.

**ATTACH THE 1105A OPERATING VALVE AND HOSE ASSEMBLY** to a 20 or 50 pound CO<sub>2</sub> tank. Thread the hose coupling nut "hand tight" onto the tank valve. See Figure 2.

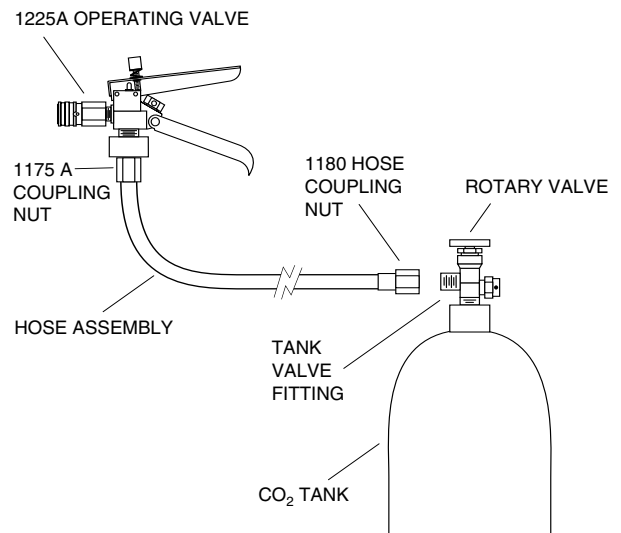


Figure 2  
CO<sub>2</sub> Tank and 1105A Operating Valve & Hose Assembly

## OPERATION

The 1105A operating valve and hose assembly controls the flow of gas from the CO<sub>2</sub> tank. Gas will remain under pressure in the 1105A hose assembly.

The 1105A operating valve accepts seal-off assemblies from 1/2 to 6 inch capacity. See Figure 3.

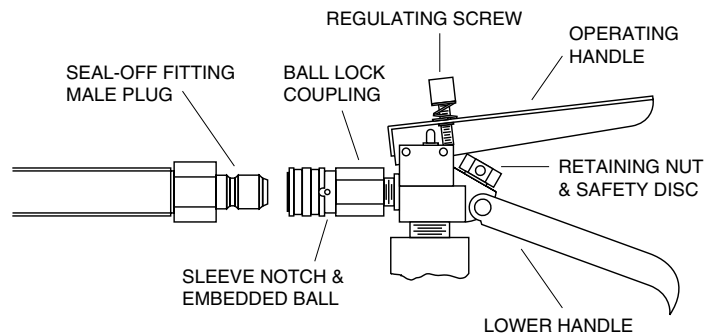


Figure 3  
Operating Valve and Seal-Off Coupling

## WARNING

To prevent injury, always keep a firm grip on seal-offs and operating valves. An unrestrained hose will be uncontrollable when the operating valve is opened to release CO<sub>2</sub>.

1. Connect the seal-off assembly to the operating valve. (Refer to Figure 3).
2. Turn the ball lock coupling sleeve to align the sleeve notch with the ball embedded in the ball lock coupling.
3. Pull the sleeve toward the valve and hold it while inserting the fitting from the seal-off.
4. Release the sleeve, turn the notch away from the embedded ball to prevent releasing the seal-off.
5. Check the coupling connection by pulling the seal-off to be certain it is seated in the valve ball lock coupling.

6. To release CO<sub>2</sub> gas into the hose and 1105A operating valve, open the tank rotary valve.
7. To release CO<sub>2</sub> depress the operating handle on the 1105A hose assembly.
8. When not using the seal-off, disconnect it from the 1105A operating valve. Turn off the rotary valve on the CO<sub>2</sub> tank and squeeze the valve handle to release any remaining CO<sub>2</sub> in the hose assembly.

## STORING THE 1105A VALVE AND HOSE ASSEMBLY

1. Loosen the hose coupling nut and remove the hose assembly.
2. Place the valve and hose assembly in the tank cart storage box.
3. Install the CO<sub>2</sub> tank protective cap by placing it over the rotary valve and threading it onto the tank.

**REPAIR AND SERVICE INSTRUCTIONS: For repair service and parts contact your nearest GB ELECTRICAL Service Center. The Service Center will provide complete and prompt service on all GB ELECTRICAL products.**

**PARTS AND SERVICE:** For quality workmanship and genuine GB ELECTRICAL parts, select an Authorized GB Service Center for your repair needs. Only repairs performed by an Authorized Service Center displaying the official GB Authorized sign are backed with full factory warranty. Contact GB Electrical (414) 352-4160 for the name of the nearest GB Authorized Service Center.

**WARRANTY:** GB ELECTRICAL, INC. warrants its products against defects in workmanship and materials for 1 year from date of delivery to user. Chain is not warranted. Warranty does not cover ordinary wear and tear, abuse, misuse, overloading, altered products or use of improper fluid.

**WARRANTY RETURN PROCEDURE:** When question of warranty claim arises, send the unit to the nearest GB Authorized Service Center for inspection, transportation prepaid. Furnish evidence of purchase date. If the claim comes under the terms of our warranty the Authorized Service Center will REPAIR OR REPLACE PARTS AFFECTED and return the unit prepaid.



**GB Electrical, Inc.**  
An Applied Power Company

6101 N. Baker Road, Milwaukee, WI 53209  
Phone: (414) 352-4160 FAX (414) 352-2377

RPS-0093 Rev. A 03/07