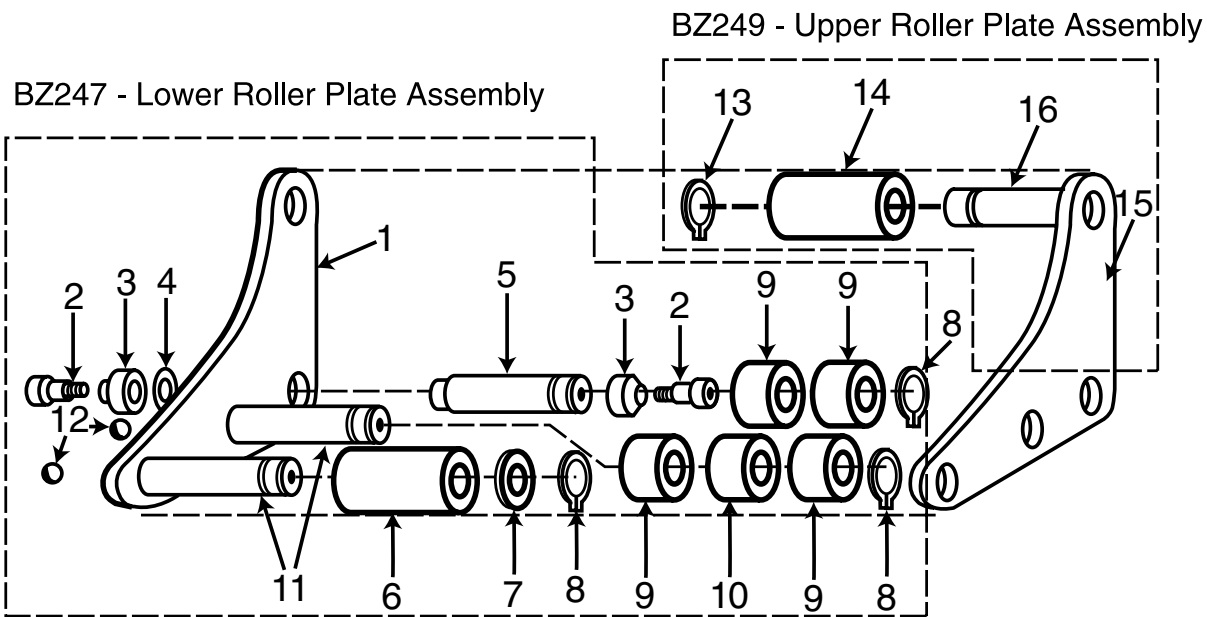


Mini-Eegor™ Bender Frame – CH570900

Item Number	Part Number	Number Required	Description
1	CD1012	1	Cylinder Assembly
2	CH322885	1	Yoke
3	CH331061	3	Pins
4	CH950044	6	Ring, Retaining
5	CK79103	1	Bar, Stabilizer
6	<i>See Page 3</i>		Shoe, Bending
7	CH571950	1	Roller Assembly, Lower (See page 2)
8	CJ345900	1	Load Arm Assembly (Upper)
9	CH572950	1	Roller Assembly, Upper (See page 2)
10	CH454885	1	Rod Eye
11	B1009102	2	Nut, Hex
12	CH344900	1	Cylinder Mounting Assembly
13	CJ345900	1	Load Arm Assembly (Lower)
14	CH333061	1	Pin, Load Arm
15	CH306044	1	Ring, Retaining
16	CH452885	1	Stabilizer

To Protect Your Warranty, Use Only Enerpac Hydraulic Oil.

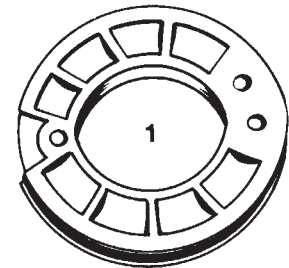
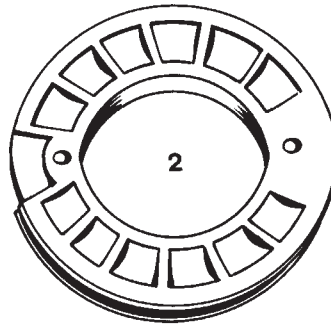
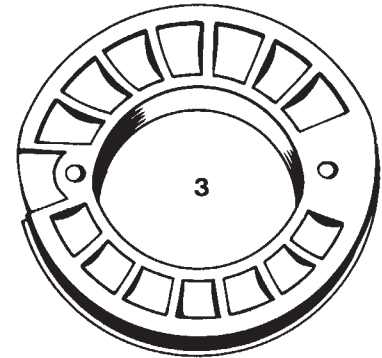
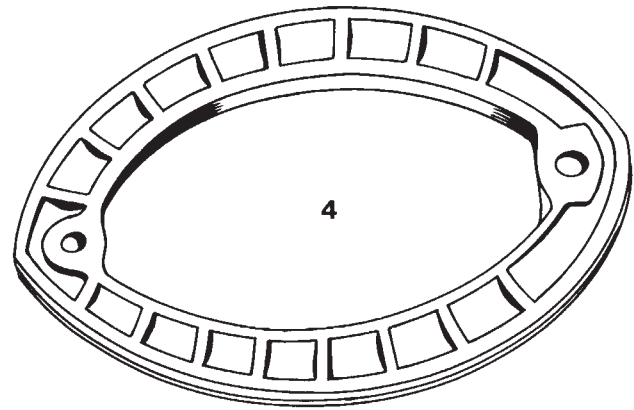
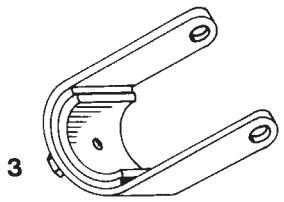
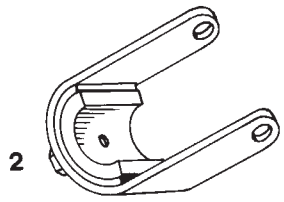
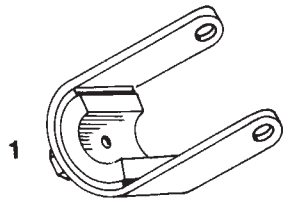


Lower Roller Assembly– CH571950

Item Number	Part Number	Number Required	Description
1	CH449101	1	Load Plate, Lower
2	CH863028	2	Screw, Shoulder
3	CH862281	1	Follower, Ca
4	CH939108	1	Washer, Retaining
5	CH935104	1	Axle
6	CH438281	1	Roller, Long
7	CH439108	1	Washer, Retaining
8	CA306044	3	Ring, Retaining
9	CH455281	4	Roller
10	CH437281	1	Roller, Short
11	CH450104	2	Axle
12	B1011016	2	Ball, Steel (.38 Dia.)

Upper Roller Assembly – CH572950

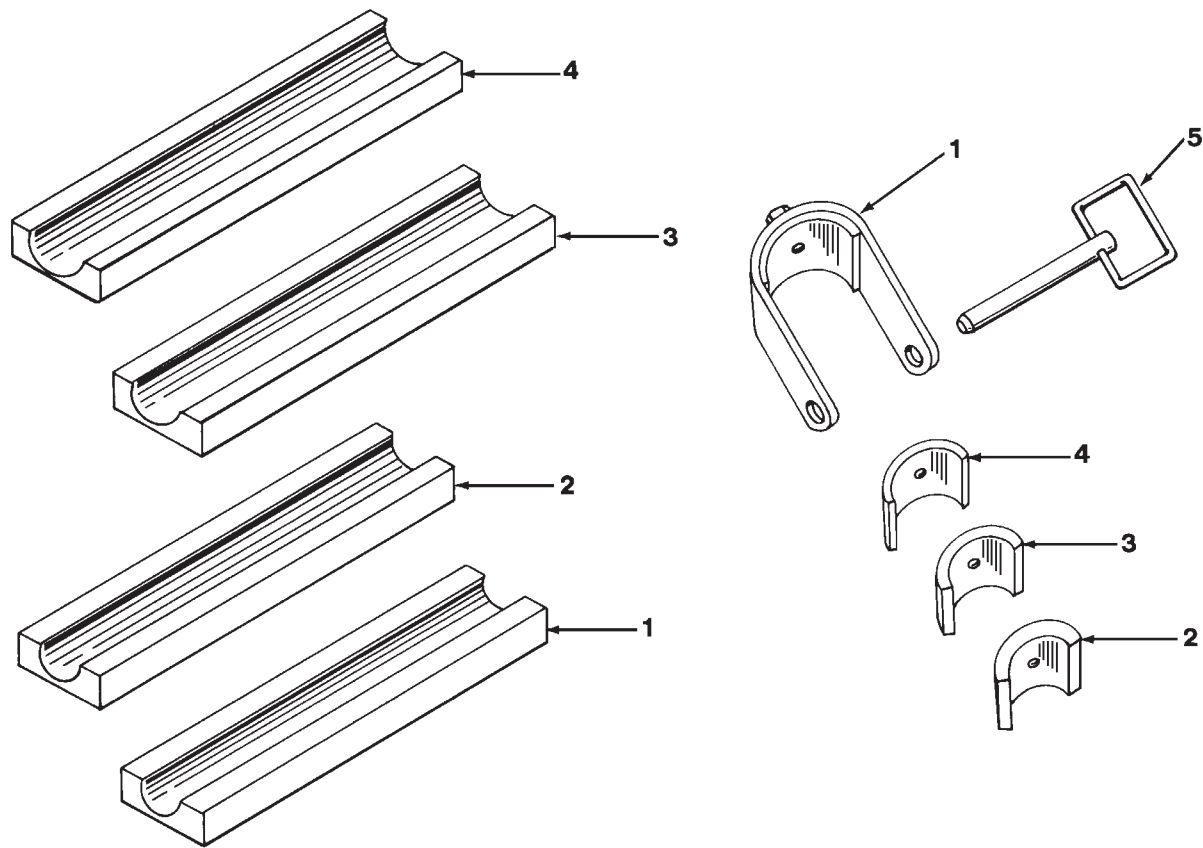
13	CA306044	1	Ring, Retaining
14	CH335201	1	Roller, Larg
15	CH448101	1	Plate, Upper
16	CH450104	1	Axle



Replacement U-strap with Inserts		
Item No.	Part Number	Description
1	BZ253	U-strap w/1 in. Insert
2	BZ254	U-strap w/1 1/4 in. Insert
3	BZ255	U-strap w/1 1/2 in. Insert

Also available as separate pieces. See page 4.

Bending Shoes		
Item No.	Part Number	Description
1	BZ259	Shoe, 1 inch
2	BZ260	Shoe, 1 1/4 inch
3	BZ261	Shoe, 1 1/2 inch
4	BZ262	Shoe, 2 inch



Follow Bars		
Item No.	Part Number	Description
1	BZ1343	Follow Bar for 1 1/4 in. Thinwall
2	BZ1344	Follow Bar for 1 1/2 in. Thinwall
3	BZ1345	Follow Bar for 2 in. Thinwall
4	BZ258	Follow Bar for 2 in. (IMC & Rigid)

U-strap and Inserts		
Item No.	Part Number	Description
1	*BZ256	U-strap, 2 inch
2	*CH899017	Insert, 1 inch
3	*CH897017	Insert, 1 1/2 inch
4	*CH898017	Insert, 1 1/4 inch
5	*CH949900	U-strap Pin

*Also available as Kit BZ268

REPAIR AND SERVICE INSTRUCTIONS: For repair service and parts contact your nearest GB ELECTRICAL Service Center. The Service Center will provide complete and prompt service on all GB ELECTRICAL products.

PARTS AND SERVICE: For quality workmanship and genuine GB ELECTRICAL parts, select an Authorized GB Service Center for your repair needs. Only repairs performed by an Authorized Service Center displaying the official GB Authorized sign are backed with full factory warranty. Contact GB Electrical (414) 352-4160 for the name of the nearest GB Authorized Service Center.

WARRANTY: GB ELECTRICAL, INC. warrants its products against defects in workmanship and materials for 1 year from date of delivery to user. Chain is not warranted. Warranty does not cover ordinary wear and tear, abuse, misuse, overloading, altered products or use of improper fluid.

WARRANTY RETURN PROCEDURE: When question of warranty claim arises, send the unit to the nearest GB Authorized Service Center for inspection, transportation prepaid. Furnish evidence of purchase date. If the claim comes under the terms of our warranty the Authorized Service Center will REPAIR OR REPLACE PARTS AFFECTED and return the unit prepaid.



GB Electrical, Inc.
An Applied Power Company

6101 N. Baker Road, Milwaukee, WI 53209
Phone: (414) 352-4160 FAX (414) 352-2377

RPS-0107 Rev. A 03/07