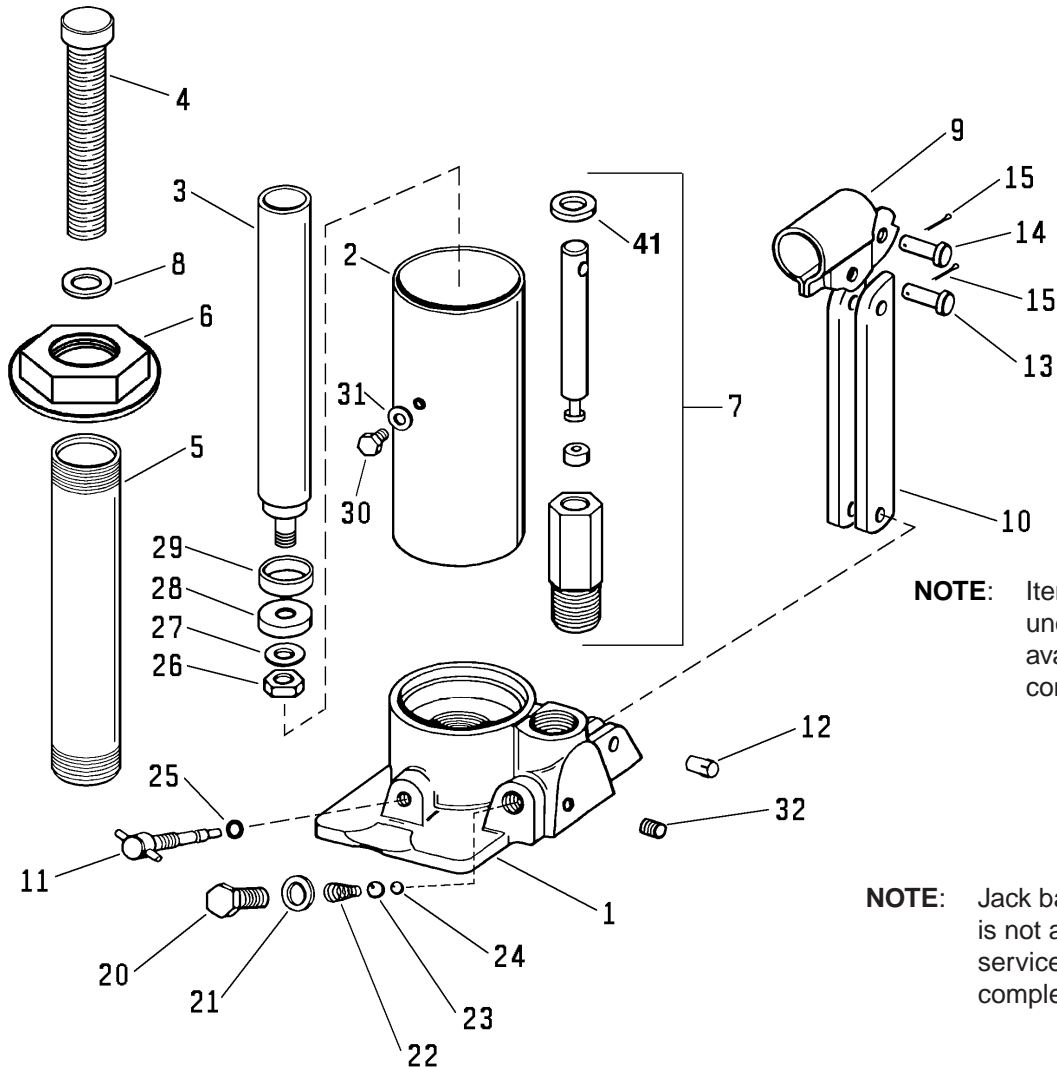


For date codes beginning with the letter "O".
Revision E



NOTE: Items grouped under item 7 are available only as a complete assembly.

NOTE: Jack base, item 1, is not available as a service item. Order complete jack.

Install all kit components to insure optimum performance of the repaired unit.

Repair Parts List

Item	JH15	Qty	Description
1	Not Sold Separately	1	Base
2	K995025	1	Reservoir
3	AJ100021SR	1	Plunger (incl. item 4, 26, 27, 28, 29)
4	02-6	1	Saddle Assembly
5	AJ100018	1	Cylinder
6	K515020	1	Top Cap
7	K584900SR	1	Pump Assembly (incl. item 16,17)
8	★	1	O-ring
9	A8019060SR	1	Beam (incl. item 10,12,13,14,15)
10	Refer to item 9	2	Link

Table continues on reverse side.

Repair Parts List

Item	JH15	Qty	Description
11	CA237950SR	1	Reserve Valve (incl. item 25)
12		1	Groove Pin
13		1	Beam Link Pin
14		1	Beam Pin
15	★	2	Cotter Pin
20	AJ100061SR	1	Valve Plug (incl. item 21)
21	★	1	Valve Plug Gasket
22	★	1	Valve Spring
23	★	1	5/16" Ball
24	★	1	7/32" Ball
25	★	1	O-ring
26	3/8-24 UNF	1	Hex Jam Nut (Std. Hdw.)
27		1	Washer
28	★	1	Plunger Cup
29		1	Plunger Ring
30	B1036046SR	1	Filler Plug (incl. item 31)
31	★	1	Gasket
Items 33-35 are not shown on the parts drawing:			
33	K488070	1	Bar Handle
34	K489070	1	Tube Handle
35	CJ649026	1	Name Plate
41	★	1	Backup Washer

★ Included in, and available ONLY as part of Repair Kit JH15K.

REPAIR AND SERVICE INSTRUCTIONS: For repair service and parts contact your nearest GB ELECTRICAL Service Center. The GB ELECTRICAL Service Center will provide complete and prompt service on all GB ELECTRICAL products.

<p>PARTS AND SERVICE: For quality workmanship and genuine GB ELECTRICAL parts, select an Authorized GB Service Center for your repair needs. Only repairs performed by an Authorized Service Center displaying the official GB Authorized sign are backed with full factory warranty. Contact GB Electrical (414)352-4160 for the name of the nearest GB Authorized Service Center.</p>	<p>WARRANTY: GB ELECTRICAL, INC. warrants its product against defects in workmanship and materials for 1 year from date of delivery to user. Chain is not warranted. Warranty does not cover ordinary wear and tear, abuse, misuse, overloading, altered products or use of improper fluid.</p>	<p>WARRANTY RETURN PROCEDURE: When question of warranty claim arises, send the unit to the nearest GB Authorized Service Center for inspection, transportation prepaid. Furnish evidence of purchase date. If the claim comes under the terms of our warranty the Authorized Service Center will REPAIR OR REPLACE PARTS AFFECTED and return the unit prepaid.</p>
--	--	---



a unit of *apw* Tools and Supplies

GB Electrical, Inc. • 6101 N. Baker Road • Milwaukee, WI 53209 • 414-352-4160 • Fax 414-352-2377