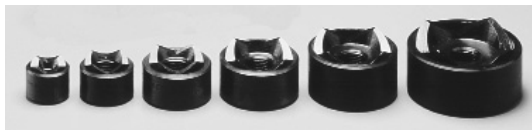


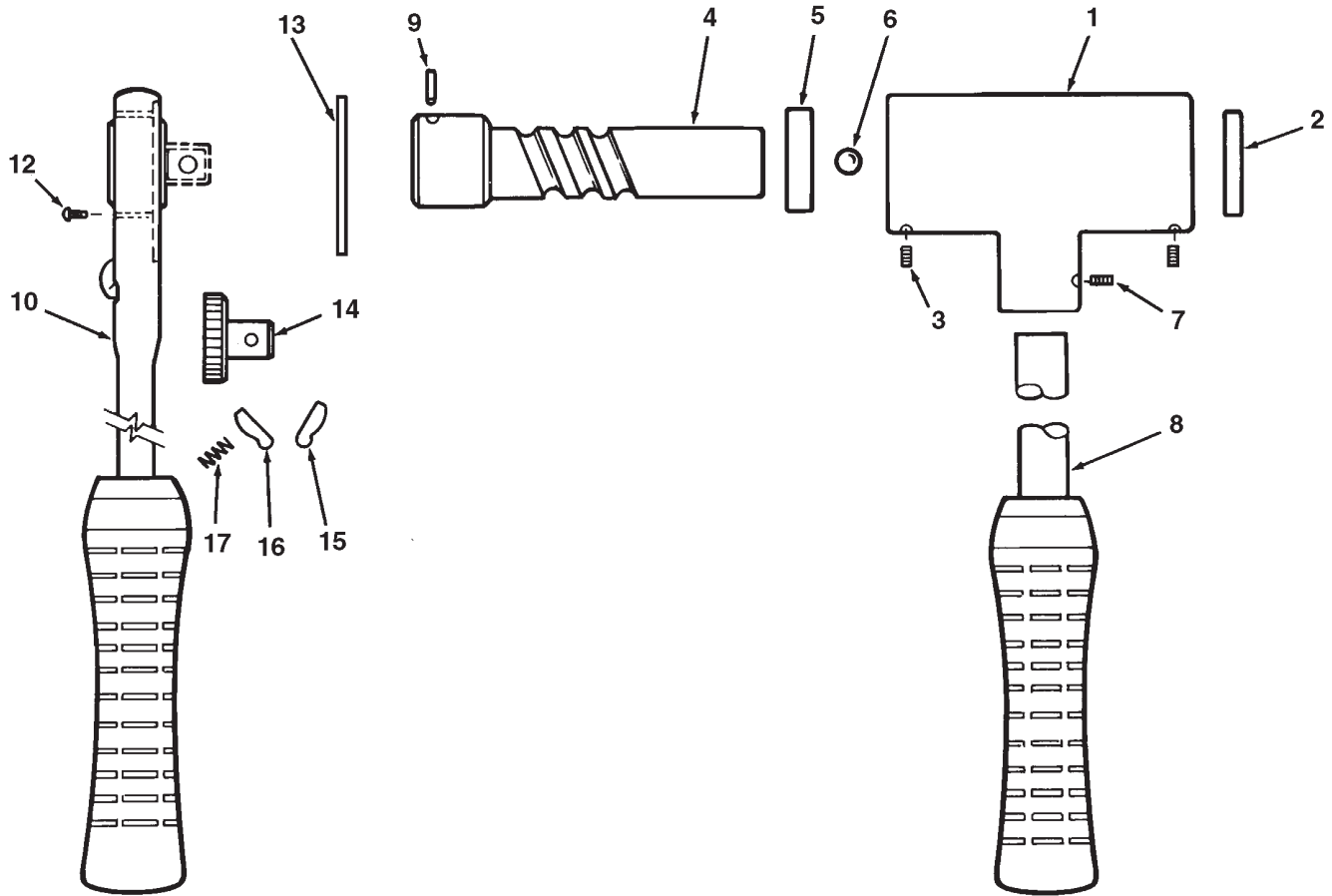
KOR14 Set



KOR520 Set



KP500B KP750B KP1000B KP1250B KP1500B KP2000B
KD500B KD750B KD1000B KD1250B KD1500B KD2000B



Ratchet and Driver Assembly

**Parts List
KOR14 & KOR520**

| Item Number | Part Number | Description | Qty. |
|---|-------------|--------------------------|------|
| 1 | CJ995001 | Housing, Driver | 1 |
| • 2 | — | Washer, Thrust | 1 |
| • 3 | — | Setscrew | 6 |
| 4 | CJ996028 | Screw, Driver | 1 |
| • 5 | — | Retainer | 1 |
| • 6 | — | Ball, Steel | 19 |
| • 7 | — | Setscrew | 1 |
| 8 | CK964950 | Handle and Grip Assembly | 1 |
| • 9 | — | Pin, Spring | 1 |
| 10 | CK731950 | Wrench, Ratchet | 1 |
| Repair kit includes items 12 through 17 | | | |
| * 12 | — | Screw | 2 |
| * 13 | — | Cover | 1 |
| * 14 | — | Wheel | 1 |
| * 15 | — | Dog, Right Hand | 1 |
| * 16 | — | Dog, Left Hand | 1 |
| * 17 | — | Spring | 1 |

* Order Kit #K014K

• Order Kit #CK1044K

| KOR14 | KOR520 | | |
|-------------------------------|----------------|------------------|----------------|
| Includes Adapter Screws | Punches | Includes Dies | Adapter Screws |
| KOR50 for 1/2" | KP500B 1/2" | KD500B | KOR50 |
| KOR75125 for 3/4", 1", 1 1/4" | KP750B 3/4" | KD750B | KOR75125 |
| KOR152 for 1 1/2", 2" | KP1000B 1" | KD1000B | |
| | KP1250B 1 1/4" | KD1250B | |
| | KP1500B 1 1/2" | KD1500B | KOR152 |
| | KP2000B 2" | KD2000B | |

KNOCKOUT ASSORTMENT KITS

Knockout Punch Assortment Kit - 2½" to 4"

Upgrade your existing ½" to 2" set with this 2½" to 4" knockout punch assortment kit. Packed in a metal storage case.

KOH2540

| Model No. | Description | Quantity in Set |
|----------------|-------------|-----------------|
| KP2500B | Punch 2½" | 1 |
| KD2500B | Die 2½" | 1 |
| KP3000 | Punch 3" | 1 |
| KD3000 | Die 3" | 1 |
| KP3500 | Punch 3½" | 1 |
| KD3500 | Die 3½" | 1 |
| KP4000 | Punch 4" | 1 |
| KD4000 | Die 4" | 1 |

Super Slug-Out™ Knockouts For Stainless Steel

- Exclusive three-knife design splits the slug into three pieces, allowing easy removal from the die.
- High alloy construction offers 10 to 20 times the life of standard knockouts.
- Recommended only to be used with hydraulic drivers.
- Can be used with the following Gardner Bender Kits:
 - KOH14A - KOF540 - KOH520A
 - KOS5290 - KOF520 - KOS520
 - KOH540A

| Part # | Description | Hole Size | | Capacity | | Weight |
|----------------|-------------|-----------|------|----------|----|---------|
| | | Inch | mm | GA | mm | |
| KPS500 | ½" Punch | 0.88 | 22.5 | 10 | 3 | 0.7 lb |
| KDS500 | ½" Die | 0.88 | 22.5 | 10 | 3 | 0.6 lb |
| KPS750 | ¾" Punch | 1.12 | 28.3 | 10 | 3 | 0.8 lb |
| KDS750 | ¾" Die | 1.12 | 28.3 | 10 | 3 | 0.8 lb |
| KPS1000 | 1" Punch | 1.36 | 34.6 | 10 | 3 | 1.5 lbs |
| KDS1000 | 1" Die | 1.36 | 34.6 | 10 | 3 | 1.4 lbs |
| KPS1250 | 1¼" Punch | 1.70 | 43.2 | 10 | 3 | 2.5 lbs |
| KDS1250 | 1¼" Die | 1.70 | 43.2 | 10 | 3 | 2 lbs |
| KPS1500 | 1½" Punch | 1.95 | 49.6 | 10 | 3 | 3.3 lbs |
| KDS1500 | 1½" Die | 1.95 | 49.6 | 10 | 3 | 2.7 lbs |
| KPS2000 | 2" Punch | 2.42 | 61.5 | 10 | 3 | 5.4 lbs |
| KDS2000 | 2" Die | 2.42 | 61.5 | 10 | 3 | 4.6 lbs |

REPAIR AND SERVICE INSTRUCTIONS: For repair service and parts contact your nearest GB ELECTRICAL Service Center. The Service Center will provide complete and prompt service on all GB ELECTRICAL products.

| | | |
|---|---|---|
| <p>PARTS AND SERVICE: For quality workmanship and genuine GB ELECTRICAL parts, select an Authorized GB Service Center for your repair needs. Only repairs performed by an Authorized Service Center displaying the official GB Authorized sign are backed with full factory warranty. Contact GB Electrical (414) 352-4160 for the name of the nearest GB Authorized Service Center.</p> | <p>WARRANTY: GB ELECTRICAL, INC. warrants its products against defects in workmanship and materials for 1 year from date of delivery to user. Chain is not warranted. Warranty does not cover ordinary wear and tear, abuse, misuse, overloading, altered products or use of improper fluid.</p> | <p>WARRANTY RETURN PROCEDURE: When question of warranty claim arises, send the unit to the nearest GB Authorized Service Center for inspection, transportation prepaid. Furnish evidence of purchase date. If the claim comes under the terms of our warranty the Authorized Service Center will REPAIR OR REPLACE PARTS AFFECTED and return the unit prepaid.</p> |
|---|---|---|



GB Electrical, Inc.
An Applied Power Company

6101 N. Baker Road, Milwaukee, WI 53209
Phone: (414) 352-4160 FAX (414) 352-2377

RPS-0111 Rev. A 01/07