



STUD PUNCH ACCESSORIES

Patented One-Piece Design

Exclusively from Gardner Bender, new SnapSHOT™ Universal Stud Insulators provide code mandated* 360° protection for cable runs through increasingly popular metal studs, where sharp hole edges could otherwise gouge plastic or rubber-jacketed electric, communications or network cable. The patented one-piece design and folding tabs make installation literally a snap, resulting in a tight and secure attachment to the stud. The smooth, hang-free surface eases pulls, while the high-density SnapSHOT™ design accommodates any shape pre-punched hole or standard 1¹/₃₂" field-punched holes.

*Meets requirements of NEC Article 300-4(b) and CEC Rule 12-516.



Code-compliant protection for NM Cable in both factory and field punched metal studs.

Feature Comparison

	GB Gardner Bender	Caddy	Greenlee	Arlington
Fits factory punched holes/standard holes	•	•	•	•
Easy to install design	•			
One-piece installation	•			
UL approved	•		•	•



Part #	Description	Pkg	Qty
SI-25	Metal Stud Insulator	Bag	25
SI-100	Metal Stud Insulator	Bag	100

REPAIR AND SERVICE INSTRUCTIONS: For repair service and parts contact your nearest Gardner Bender Service Center. The Gardner Bender Service Center will provide complete and prompt service on all Gardner Bender products.

PARTS AND SERVICE: For quality workmanship and genuine Gardner Bender parts, select an Authorized GB Service Center for your repair needs. Only repairs performed by an Authorized Service Center displaying the official GB Authorized sign are backed with full factory warranty. Contact Gardner Bender (414)352-4160 for the name of the nearest GB Authorized Service Center.

WARRANTY: Gardner Bender warrants its product against defects in workmanship and materials for 1 year from date of delivery to user. Warranty does not cover ordinary wear and tear, abuse, misuse, overloading, altered products or use of improper fluid.

WARRANTY RETURN PROCEDURE: When question of warranty claim arises, send the unit to the nearest GB Authorized Service Center for inspection, transportation prepaid. Furnish evidence of purchase date. If the claim comes under the terms of our warranty the Authorized Service Center will REPAIR OR REPLACE PARTS AFFECTED and return the unit prepaid.

IMPORTANT: RECEIVING INSTRUCTIONS

Visually inspect all components for shipping damage. If you find damage, notify the carrier at once. Shipping damage is NOT covered by warranty. The carrier is responsible for all repair or replacement costs resulting from damage in shipment.

www.gardnerbender.com

PO Box 3241 Milwaukee, WI 53201-3241 | 414.352.4160 | fax 414.352.2377
6615 Ordan Drive | Mississauga, Ontario L5t 1x2 | 905.564.5749 | fax 905.564.0305

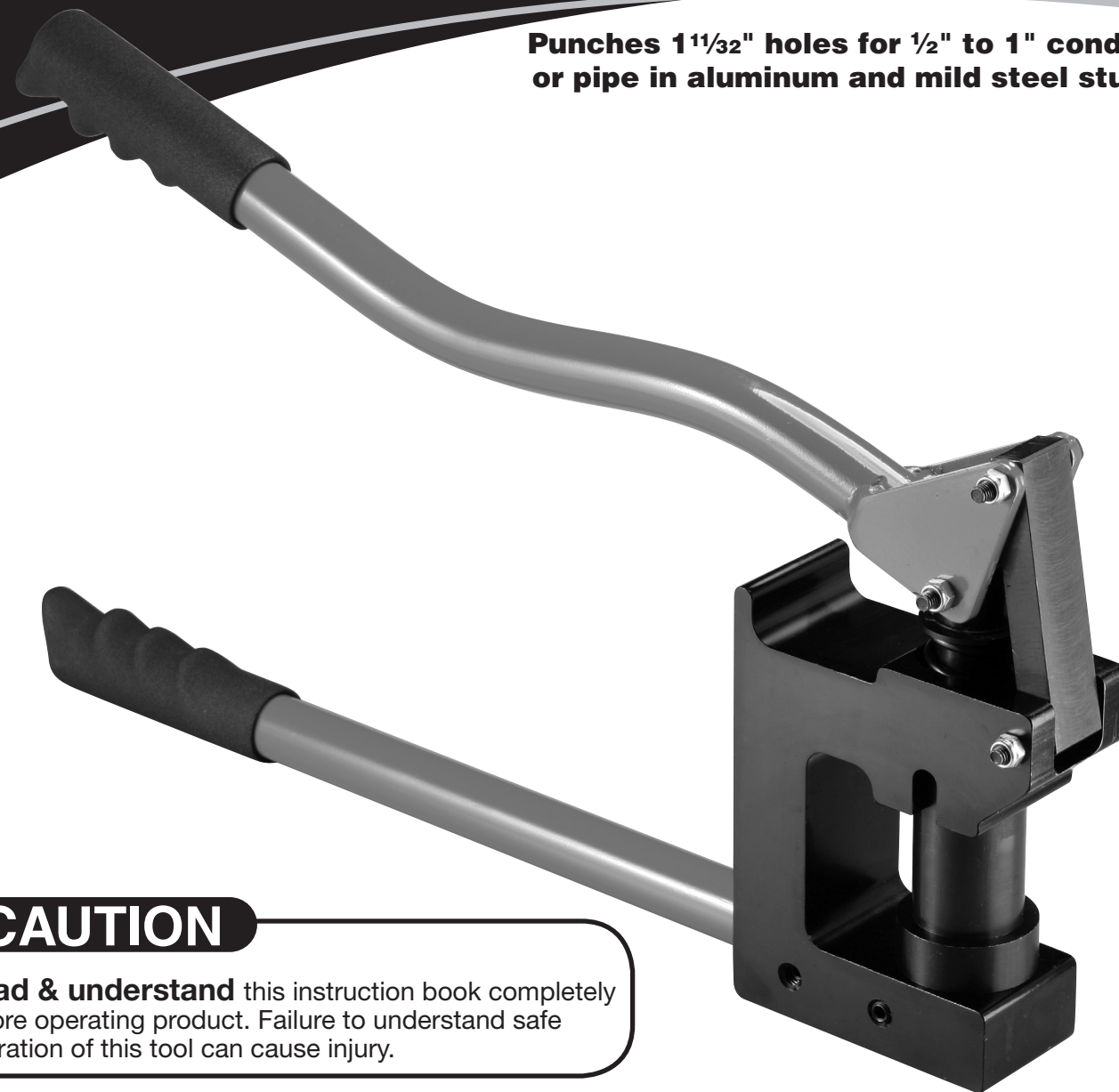
RPS-0153 | February 2007



Stud Punch

SP-7

Punches 1¹/₃₂" holes for 1/2" to 1" conduit or pipe in aluminum and mild steel studs



CAUTION
Read & understand this instruction book completely before operating product. Failure to understand safe operation of this tool can cause injury.

REPAIR PARTS SHEET

GARDNER BENDER is not RESPONSIBLE FOR DAMAGE OR INJURY CAUSED BY UNSAFE USE, MAINTENANCE OR THE APPLICATION OF ITS PRODUCTS. Please contact Gardner Bender for guidance when you are in doubt as to the proper safety precautions to be taken in designing and setting up your particular application.

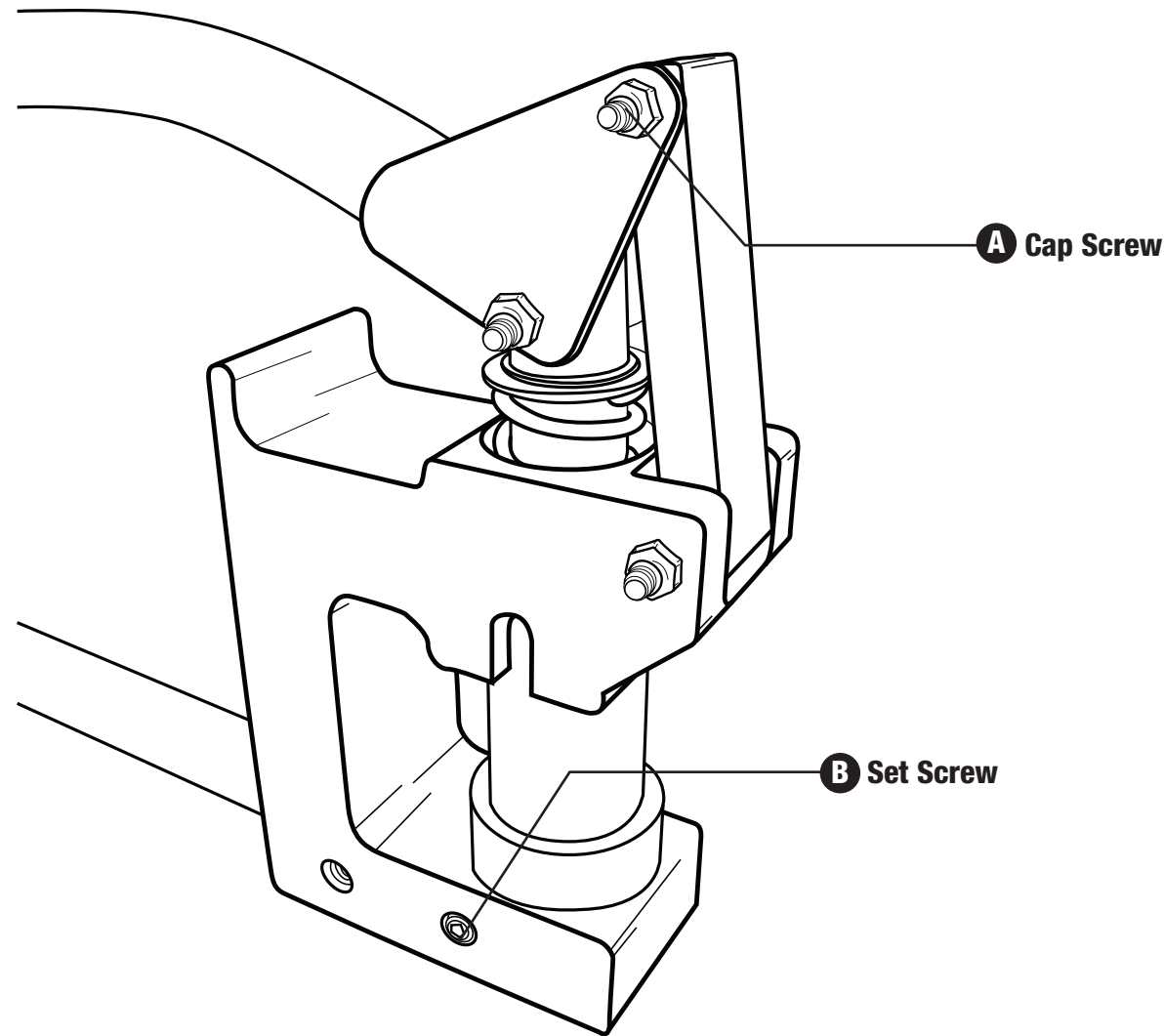
www.gardnerbender.com

PO Box 3241 Milwaukee, WI 53201-3241 | 414.352.4160 | fax 414.352.2377
6615 Ordan Drive | Mississauga, Ontario L5t 1x2 | 905.564.5749 | fax 905.564.0305

RPS-0153 | January 2007



REPLACEMENT OPTIONS



- A** For removal of punch, cap screw must be extracted. Once cap screw has been withdrawn, swing handle out of the way and lift punch straight out. Reverse the above operation for installation of punch.
- B** To Replace die, remove set screw (one closest to die). Lift die straight up and out. To install die reverse the above operation.

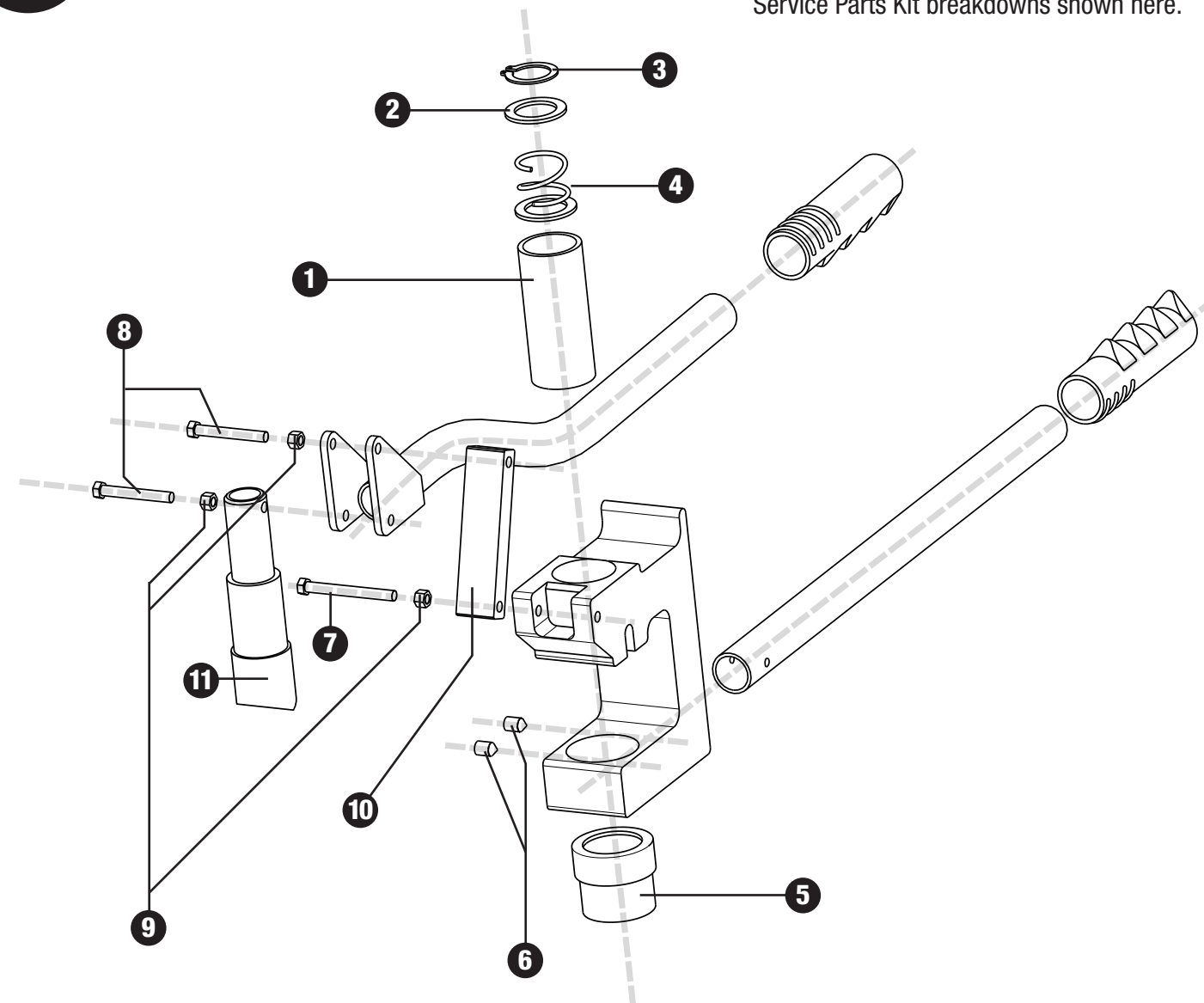


APPLICATION



REPLACEMENT OPTIONS

Service Parts Kit breakdowns shown here.



Kit #	Comp. #	Description	Qty
SP7SSK	Replacement Spring & Sleeve Kit		
	1	Bushing	1
	2	Washer	2
	3	Split Washer	1
SP7PDK	Replacement Punch Die Kit		
	4	Spring	1
	5	Die	1
	6	Set Screw	2
SP7PLK	Replacement Pivot Link Kit		
	7	Bolt (HHCS) M6-57	1
	8	Bolt (HHCS) M6-45	2
	9	Lock-Nut-M6	3
SP7PK	Replacement Punch Kit		
	10	Pivot-Link	1
	11	Punch	1
	8	Bolt (HHCS) M6-45	2
	9	Lock-Nut-M6	2

Note: Components items sold in kits only and not sold separately.