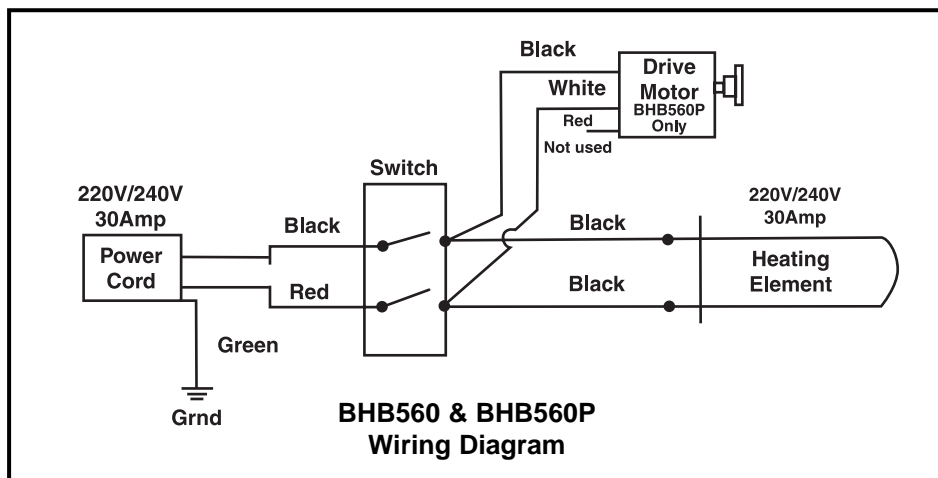
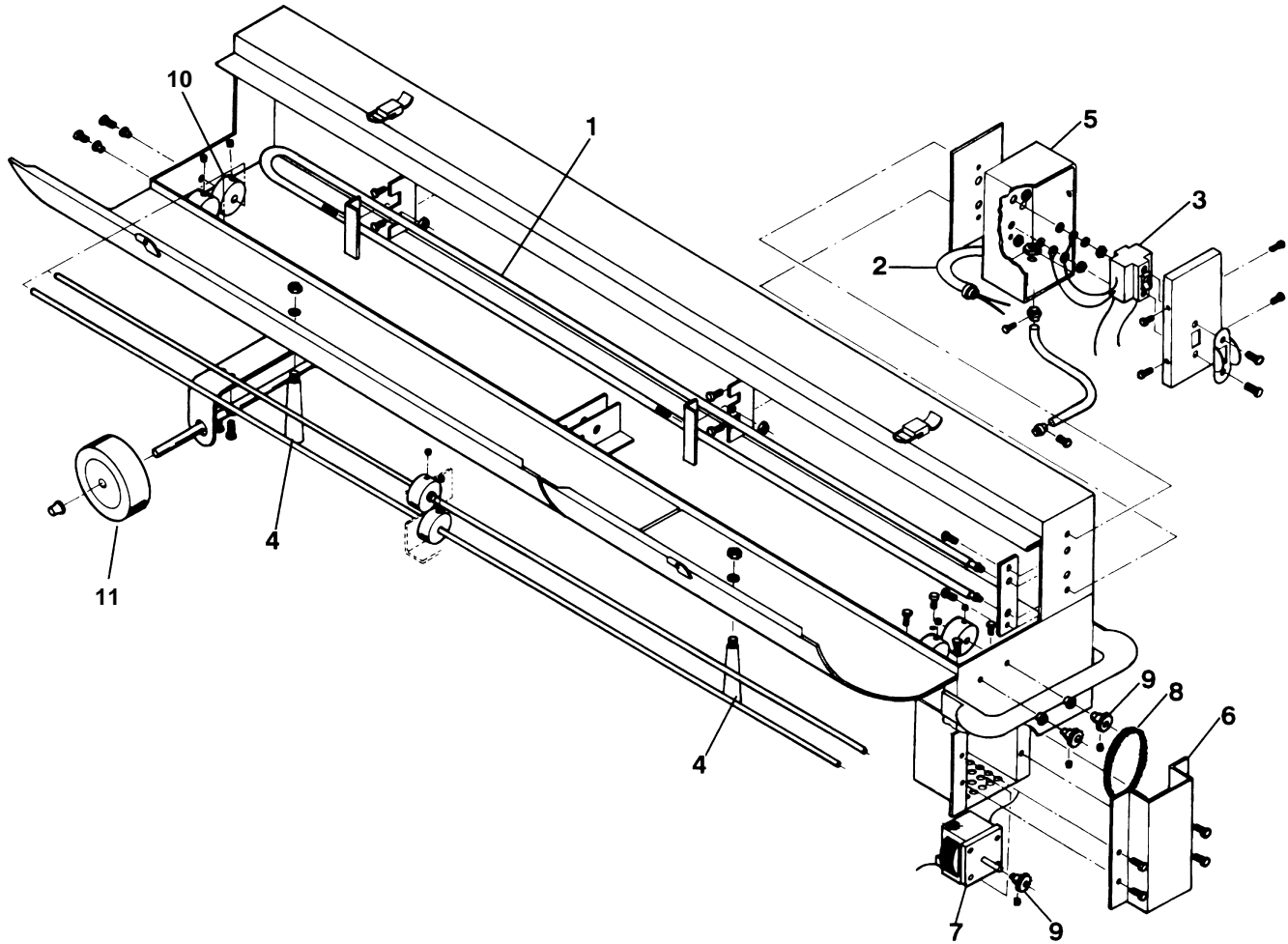




Repair Parts Sheet

BHB560 & BHB560P
1/2" - 6" HotBox™
with & without Power Drive



Repair Parts List for BHB560 and BHB560P

Item Number	Description	Part Number	Quantity	
			BHB560	BHB560P
1	Heating Element Kit Included the following:	BHE560	1	1
	Insulator Pad		1	1
	Hex Nut, 1/4 - 20		2	2
	Lock-washer, #8		2	2
	Flat-washer, #8		4	4
2	Power Cord Assembly	BHB576	1	1
3	Switch Assembly Included the following:	BHB577	1	1
	Switch Guard Kit		1	1
4	Handle Assembly Included the following:	BHB5605	2	2
	Nut, 3/8		1	1
	Lock-washer, 3/8		1	1
5	Motor Cover	BHB579		1
6	Chain Guard Assembly	BHB580		1
7	Motor Assembly Included the following:	BHB581		1
	Screw, #10-32 x 1/2			4
	Lock-washer, #10			4
	Washer, #10			4
8	Chain Assembly Included the following:	BHB582		1
	Connector Link			1
	Sprocket Assembly			3
	Collar Bushing			1
	Setscrew			1
9	Roller Assembly Included the following:	BHB584	6	
	Screw, 1/4-20 x 1 1/4		1 per roller	
	Lock-washer, 1/4		1 per roller	
	Washer, 1/4 Flat		1 per roller	
10	Knurled Roller Included the following:	CBHB568		2
	Collar Bushing			1 per roller
	Setscrew			1 per roller
11	Wheel Assembly Included the following:	BHB5601	2	2
	Push Nut		1 per wheel	1 per wheel

REPAIR AND SERVICE INSTRUCTIONS: For repair service and parts contact your nearest Gardner Bender Service Center. The GB Service Center will provide complete and prompt service on all Gardner Bender products.

PARTS AND SERVICE: For quality workmanship and genuine Gardner Bender parts, select an Authorized Gardner Bender Service Center for your repair needs. Only repairs performed by an Authorized Service Center displaying the official Gardner Bender Authorized sign are backed with full factory warranty. Contact Gardner Bender (414)352-4160 for the name of the nearest GB Authorized Service Center.

WARRANTY: Gardner Bender warrants its product against defects in workmanship and materials for 1 year from date of delivery to user. Chain is not warranted. Warranty does not cover ordinary wear and tear, abuse, misuse, overloading, altered products or use of improper fluid.

WARRANTY RETURN PROCEDURE: When question of warranty claim arises, send the unit to the nearest Gardner Bender Authorized Service Center for inspection, transportation prepaid. Furnish evidence of purchase date. If the claim comes under the terms of our warranty the Authorized Service Center will REPAIR OR REPLACE PARTS AFFECTED and return the unit prepaid.

GB
Gardner
Bender

A unit of **apw** Tools and Supplies

P. O. Box 3241, Milwaukee, WI 53201-3241 • Phone: (414) 352-4160 • FAX (414) 352-2377

ZRPS-005 8/99