



## Repair Parts

### B2000-8 Cyclone<sup>®</sup> Bender

Effective for models with serial numbers beginning with "N".

GAR\_TL\_024

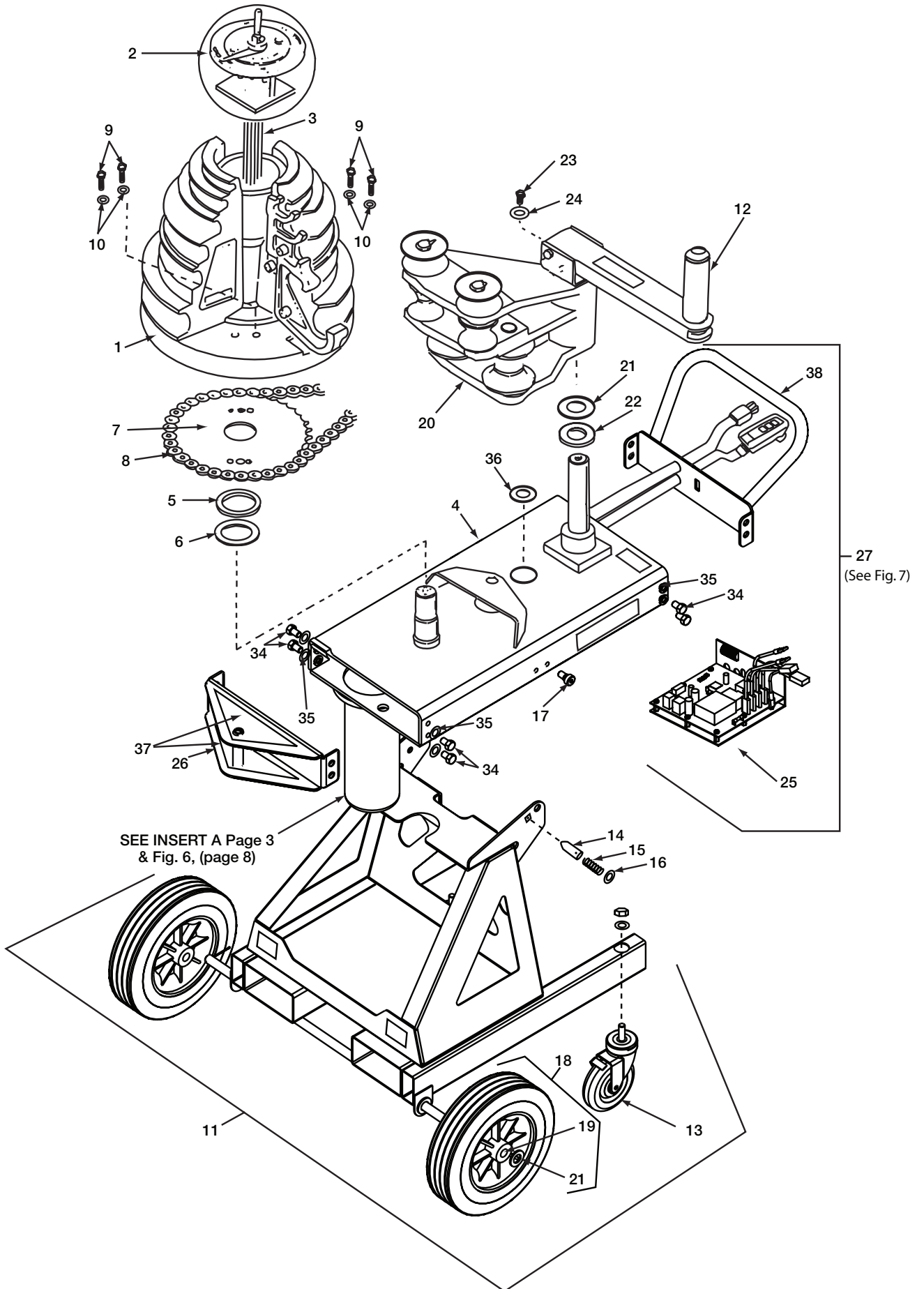
**IMPORTANT: RECEIVING INSTRUCTIONS**

Visually inspect all components for shipping damage.  
If you find damage, notify the carrier at once.

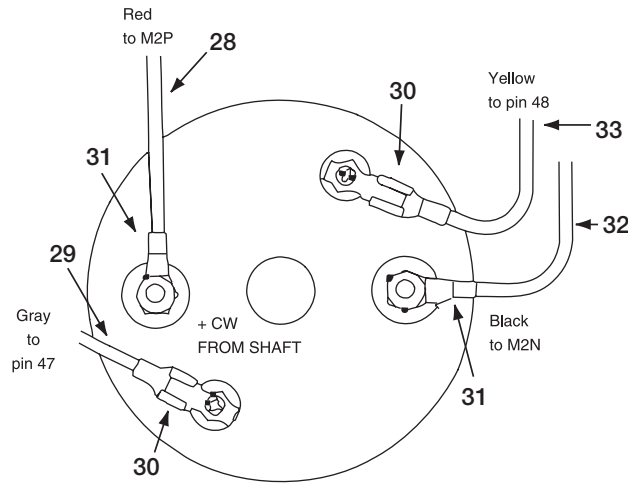
Shipping damage is NOT covered by warranty. The carrier is responsible for all repair or replacement costs resulting from damage in shipment.



**Figure 1**  
**B2000 Bender Assembly**



## INSERT A

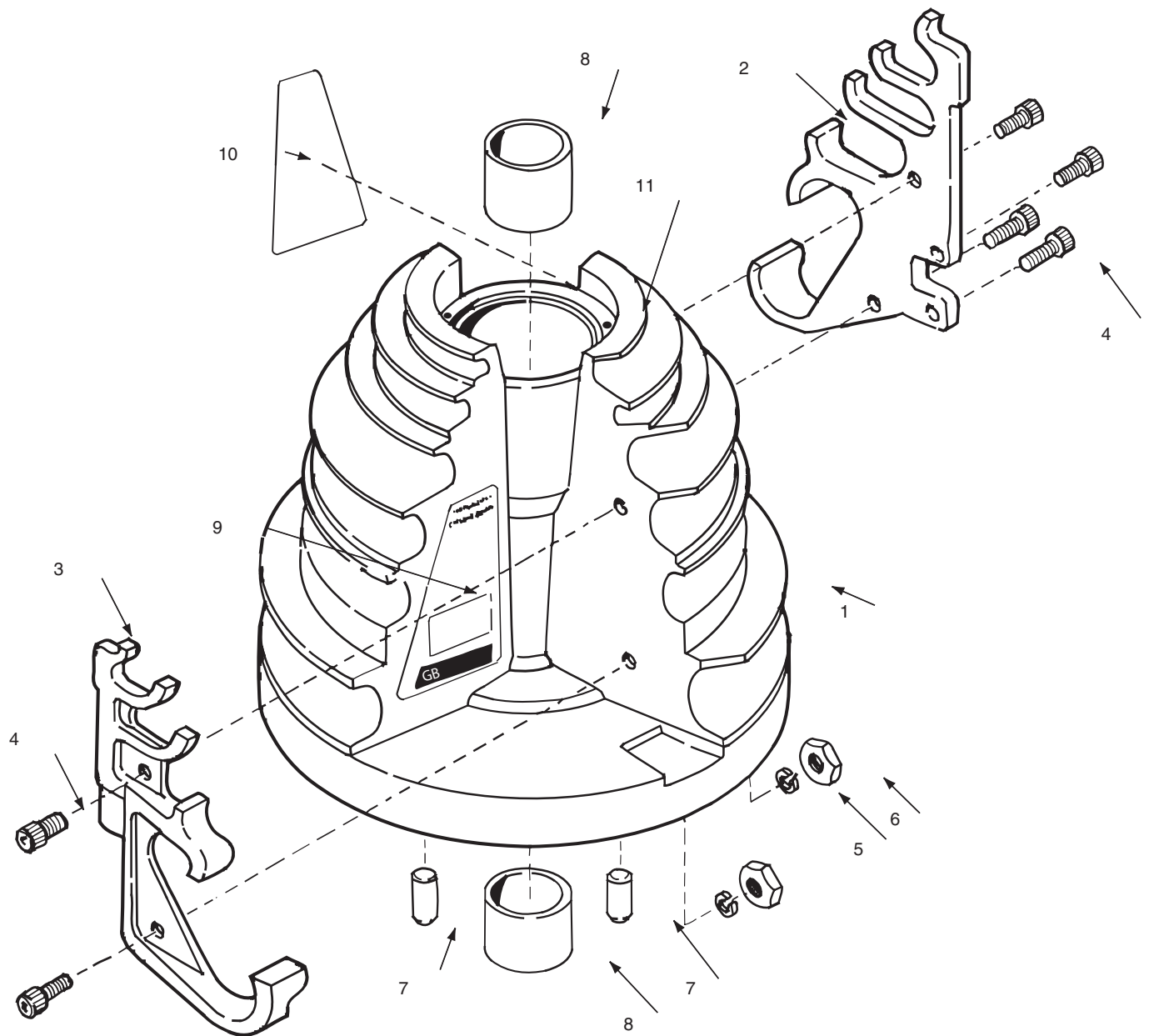


Bottom of Electric Motor  
Parts List Below

<b>B2000 Bender Assembly</b>			
Item #	Part #	# Req'd	Description
1	Figure 2, pg. 4	1	Shoe Sub Assm
2	Figure 3, pg. 5	1	Limit Switch Assm
3	CL712647SR	1	Cable, Limit and Switch
4	SHM115	1	Sprocket Housing
5	CL157108	1	Washer, Shoe
6	CL221108	1	Washer, Thrust
7	CL170228	1	Shoe Sprocket
8	CL333066	1	Chain
9	Common Repl. Part	4	$\frac{3}{8}$ "-24 x 2- $\frac{1}{2}$ " Grade 5 Zinc Plated Hex Cap Screw
10	Common Repl. Part	4	$\frac{3}{4}$ " plu SAE Flat Washer
11	LA205	1	Leg Assembly (incl. 13, 19 & 21)
12	CK994900	1	Upper Roller and Handle (Figure 5)
13	CB208	2	Casters Assm (Hardware incl.)
14	CL185061	1	Locking Pin
15	CL183110	1	Spring
16	F57044	1	Ring
17	M00084	2	Screw, Shoulder
18	WB207	2	Wheel Assm (incl. 19 & 21)
19	Common Repl. Part	2	$\frac{3}{32}$ " x 1- $\frac{1}{4}$ " Zinc plated cotter pin

<b>B2000 Bender Assembly, cont.</b>			
Item #	Part #	# Req'd	Description
20	CU295900K	1	Roller Housing Assm (Figure 4)
21	CK696108	1	Washer
22	CL229248	4	Shim
23	Common Repl. Part	1	$\frac{3}{8}$ " -16 x 1" g. Low Carbon Hex Head Cap Screw Zinc plated
24	Common Repl. Part	1	$\frac{3}{8}$ " Zinc plated USS Flat Washer
25	EC2006	1	Relay Control Assm (Figure 9)
26	LP204	1	End Plate (incl. 34 & 35)
27	HC12	1	Handle & Ctrl Ckt Assm (Figure 7)
28	call tech support	1	Wire Assembly (See Above)
29	call tech support	1	Wire Assembly (See Above)
30	E1001104	2	Push-on Connector (See Above)
31	E1001021	2	Ring-Tongue Connector (See Above)
32	call tech support	1	Wire Assembly (See Above)
33	call tech support	1	Wire Assembly (See Above)
34	Common Repl. Part	8	$\frac{1}{2}$ "-13 x $\frac{7}{8}$ " Alloy Plain Finish Socket Head Cap Screw
35	Common Repl. Part	8	$\frac{1}{2}$ " Plain Finish High Collar Lock Washer
36	CM129006	1	Seal
37	LK15	2	Decal Kit
38	H905	1	Rear Handle

Figure 2  
Shoe Subassembly



Shoe Subassembly			
Item #	Part #	# Req'd	Description
1	CL199809K	1	Shoe Bending (Incl. items 7, 8, 9 and 10)
2	CN542005	1	Clamp, IMC (Incl. items 4, 5, 6)
3	CN541005	1	Clamp, EMT (Incl. items 4, 5, 6)
4	Common Replaceable Part	6	$\frac{5}{8}$ " -18 x 2 $\frac{1}{4}$ " Plain Alloy Socket Head Cap Screw
5	Common Replaceable Part	6	$\frac{5}{8}$ " Plain Finish Medium Split Lock Washer
6	Common Replaceable Part	6	$\frac{5}{8}$ " -18 Low Carbon Plain Finish Finished Hex Nut

Shoe Subassembly, cont.			
Item #	Part #	# Req'd	Description
7	CK691061	2	Pin
8	CL61107	2	Bearing (includes 2)
9	CM126026	1	Instruction Decal - Stub-Up
10	CM127026	1	Instruction Decal - Offset
11	CM627028	2	Insert, Shoe

**Figure 3**  
**Limit Switch Assembly**

Limit Switch Assembly		
Item #	Part #	Description
1	B2000HCK	Clamp Kit
	ZCM793055N	Thread Locker (for #1) <i>not pictured</i>
2	CM802950N	Knob Sub Assembly Kit
3	CM767108	Washer
4	CM801950	Upper Plate Assembly
5	B2000-TRK	Trip Ring Assembly Kit (Incl. #10 & #11)
6	CM803950N	Actuator Kit
7	B2000LSK	Limit Switch Kit
8	DA9687372	Limit Switching (3-Pack)
9	CM797950KW	Plate Assembly Kit
10	CM593026	Pipe size decal EMT
11	CM594026	Pipe size decal Rigid/IMC
12	ZCF679220	Springs

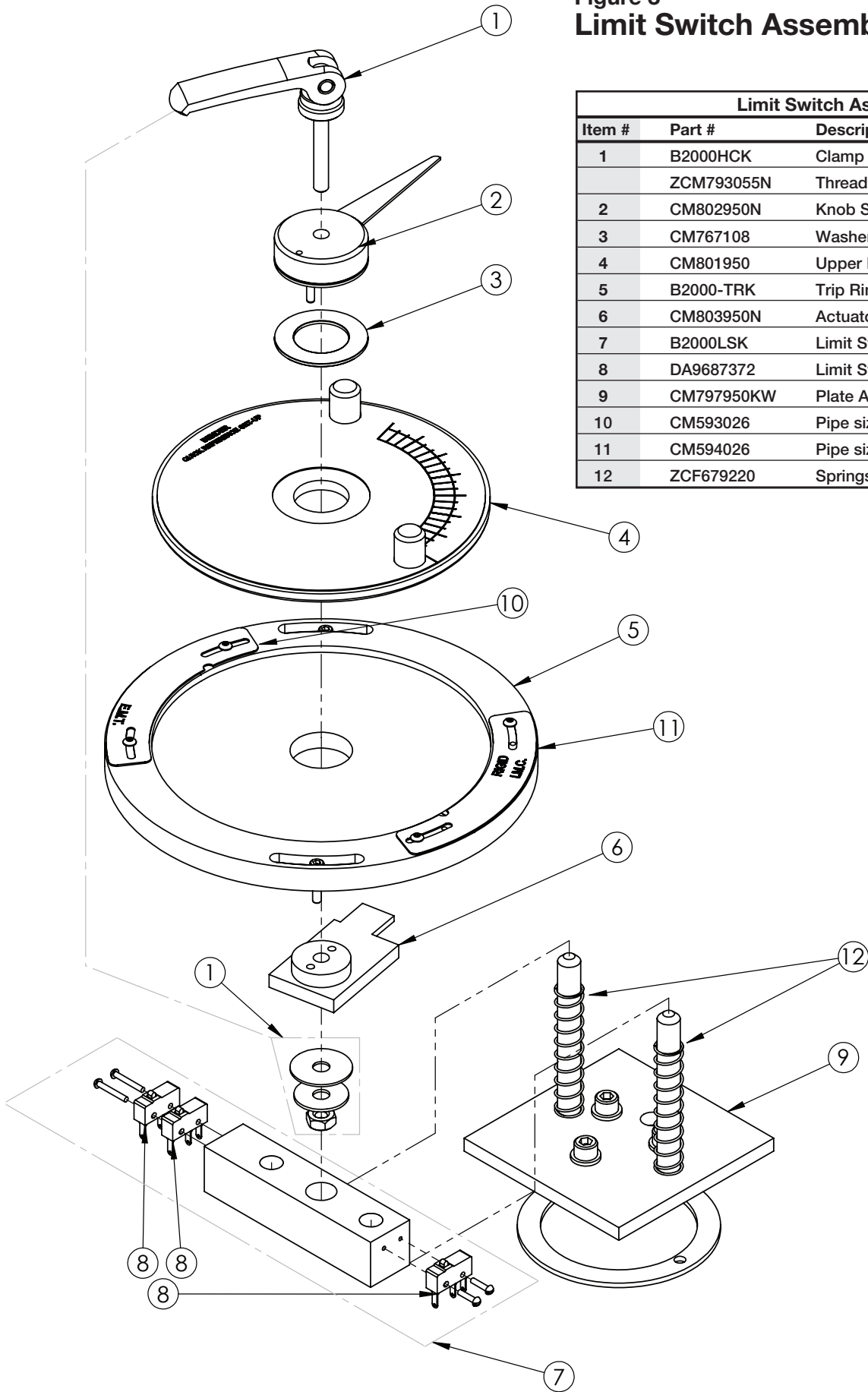
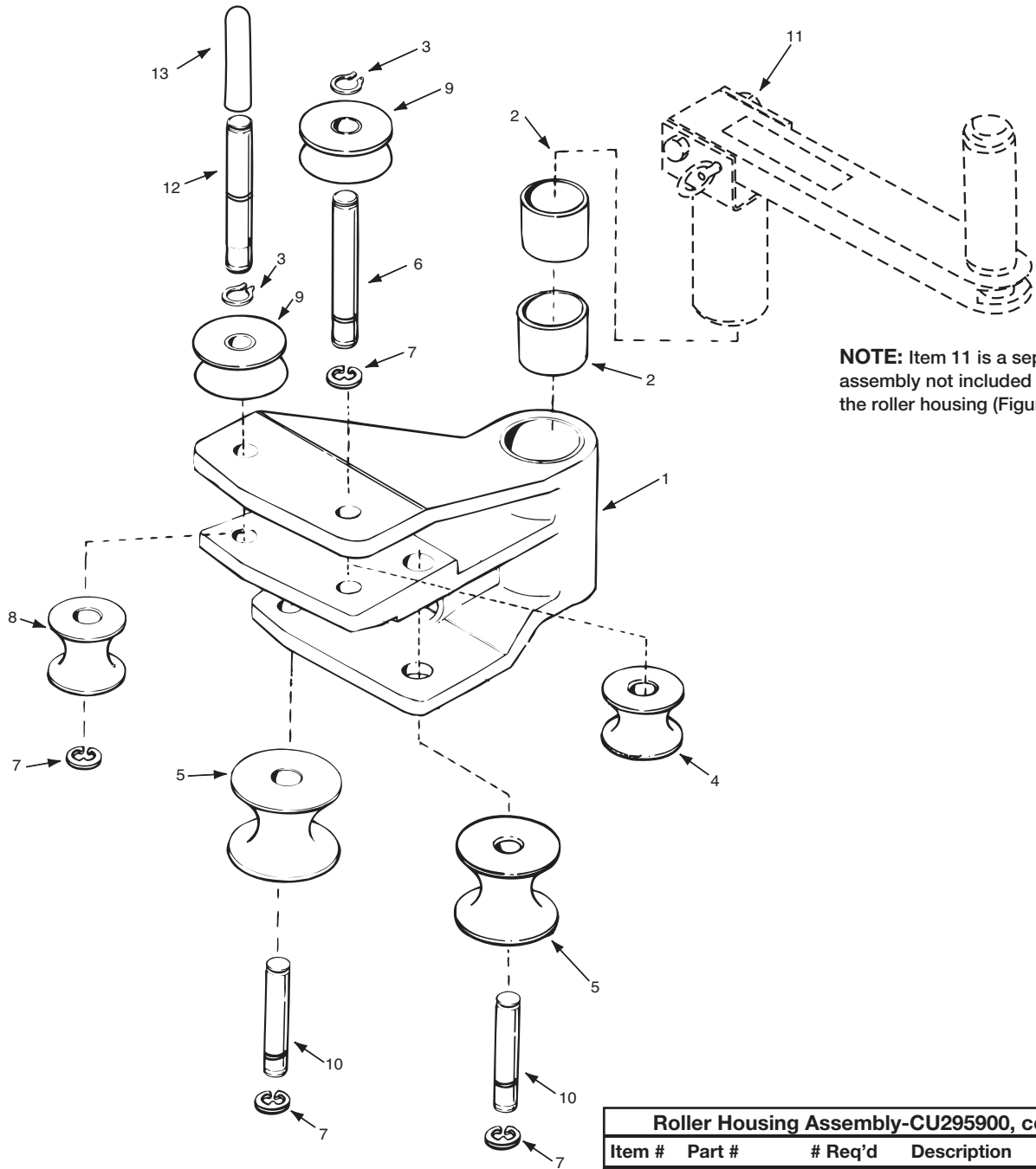


Figure 4  
 Roller Housing Assembly – CU295900K



**NOTE:** Item 11 is a separate assembly not included with the roller housing (Figure 5).

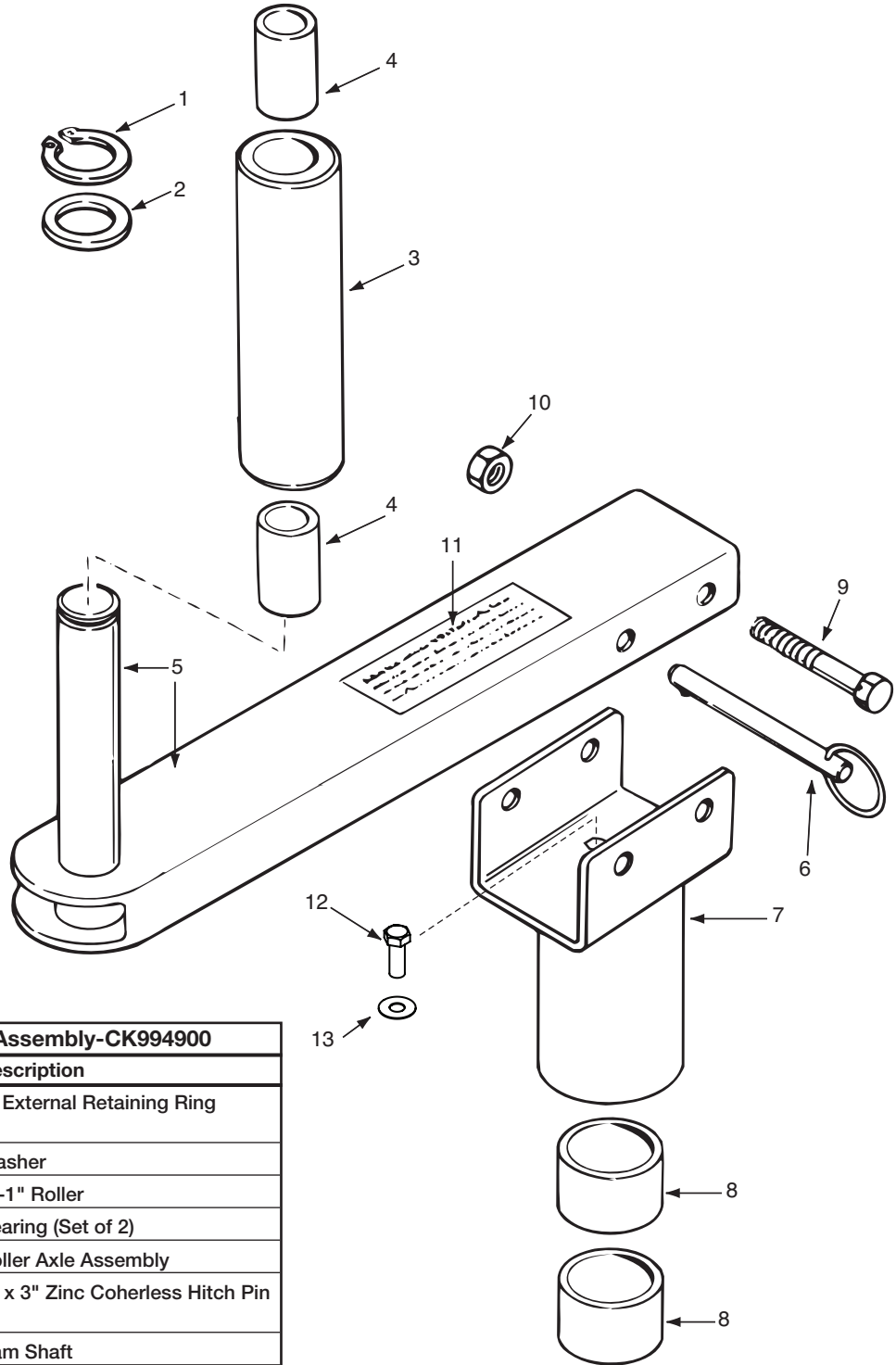
Roller Housing Assembly-CU295900K			
Item #	Part #	# Req'd	Description
1	*CU296037K	1	Housing, Roller
2	CL61107	2	Bearing
3	Common Repl. Part		7/8" External Retaining Ring
4	CU299281	1	1 1/2" Roller
5	CU298281	2	2" Roller (Set of 2)
6	CN452104K	1	Shaft, Roller
7	Common Repl. Part	4	7/8" Carbon Spring Steel E-Clip
8	CU319281	1	1 1/2" Roller

\*When the housing is ordered, the bearings will be pre-installed.

Roller Housing Assembly-CU295900, cont.			
Item #	Part #	# Req'd	Description
9	CU300281	2	1 1/4" Roller (Set of 2)
10	CU297104	2	Shaft, Roller
11	CK994900	1	Upper Roller Assm (see Figure 5)
12	DC694104	1	Axle
13	CL343550	1	Grip, Handle

B2000-RK Kit includes:		
Part#	Roller and Ring Kit	Qty
#4	1 1/2" Roller	1
#5	2" Roller (Set of 2)	2
#8	1 1/2" Roller	1
#9	1 1/4" Roller (Set of 2)	2
#3	7/8" External Retaining Ring	2
#7	7/8" Carbon Spring Steel E-Clip	4

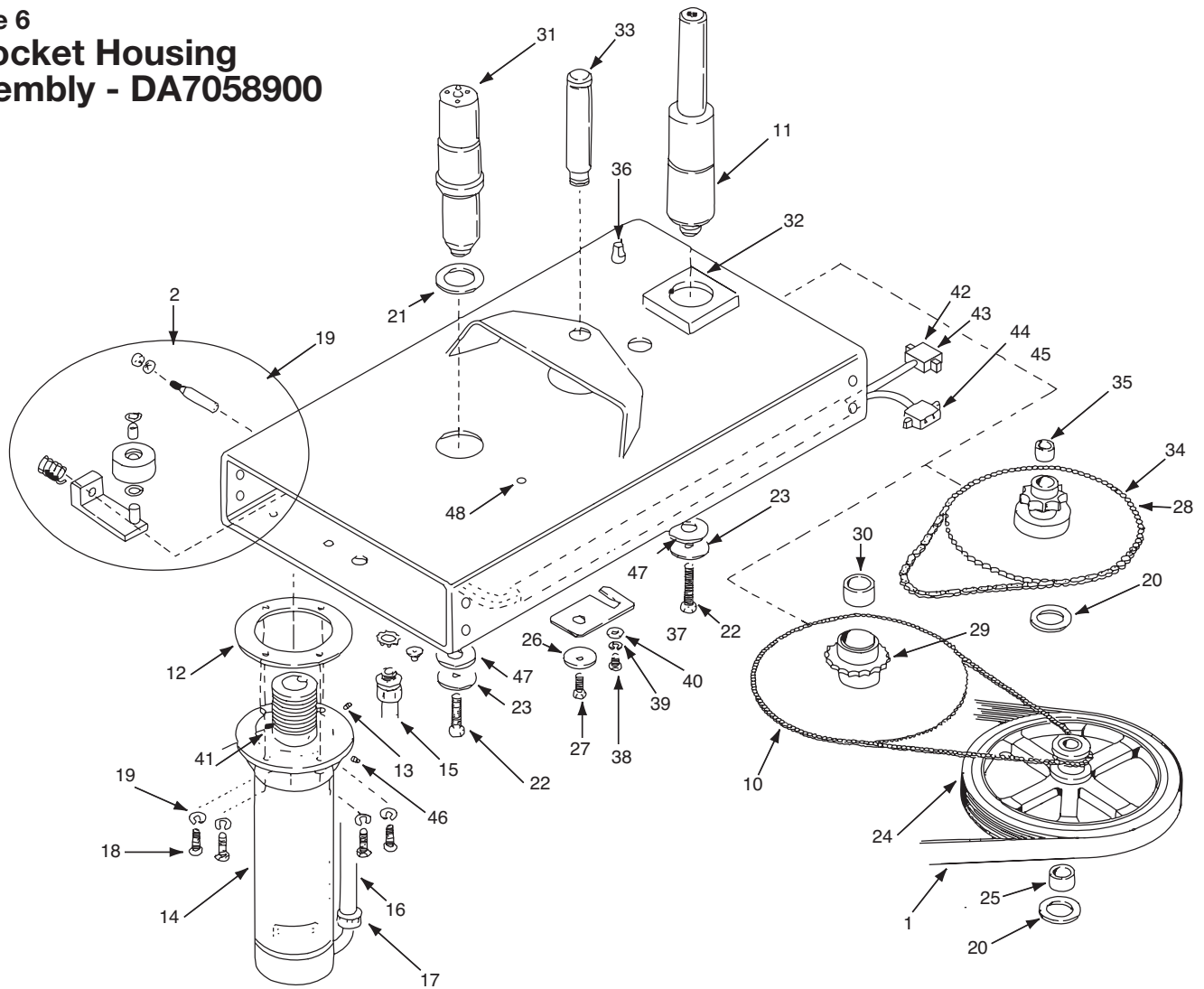
**Figure 5**  
**Upper Roller and Handle Assembly – CK994900**



Upper Roller and Handle Assembly-CK994900			
Item #	Part #	# Req'd	Description
1	Common Repl. Part	1	1" External Retaining Ring
2	CK569108	1	Washer
3	*CK575281K	1	½"-1" Roller
4	CK295107	2	Bearing (Set of 2)
5	CL30900	1	Roller Axle Assembly
6	*Common Repl. Part	1	¾" x 3" Zinc Coherless Hitch Pin
7	CL662950KW	1	Cam Shaft
8	CK693107	2	Bearing (Set of 2)
9	Common Repl. Part	1	¾" -16 x 3" A307A Low Carbon Zinc Plated Hex Bolt
10	Common Repl. Part	1	¾" - 16" Lock Nut- Nylon
11	Order Kit LK15	1	Decal, Caution
12	Common Repl. Part	1	¾" - 16 x 1" 1g. Low Carbon Hex Head Cap Screw, Zinc Plated
13	Common Repl. Part	1	⅝" Zinc Plated USS Flat Washer

\*These items come with bearings installed.

**Figure 6**  
**Sprocket Housing**  
**Assembly - DA7058900**



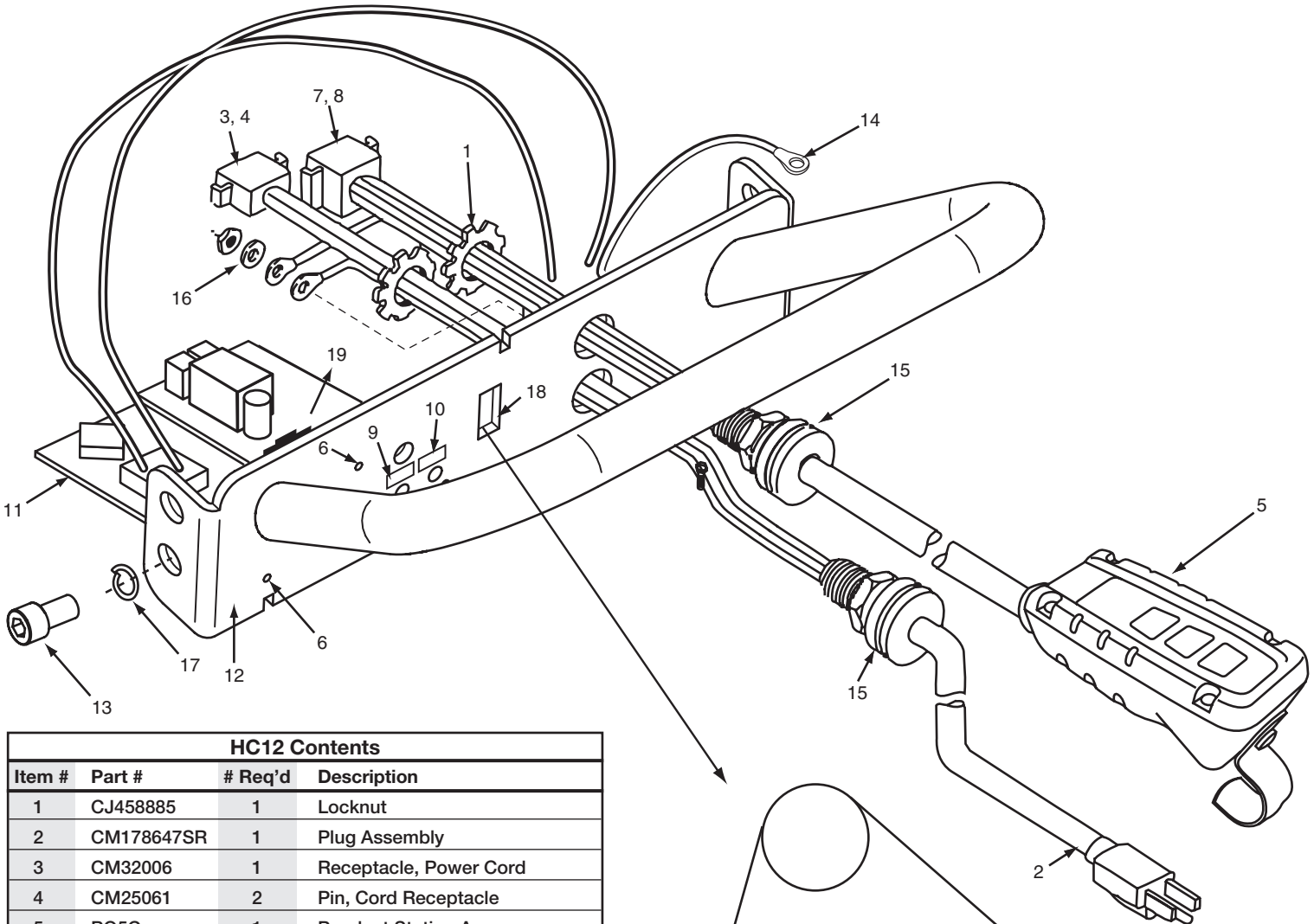
Sprocket Housing Assembly - DA7058900			
Item #	Part #	# Req'd	Description
1	CL310014	1	Drive Belt
2	CL306900		Includes:
		1	Tensioner Assembly
		1	Snap Ring
		1	Roller
		1	*Bearing
		1	Washer, Thrust
		1	Tensioner Weldment
		1	Spring
		1	Shaft Tensioner
		1	Nut, .375-16
10	CL335066	1	Chain, .375 Pitch
11	CW172104	1	Shaft, Roller Housing
12	C550357	1	Gasket, Motor
13	Common Repl. Part	1	Screw (10-32)
14	CL43259	1	Motor Assembly
15	CL674096	1	Connector
16	CL673228	1	Conduit, Flexible
17	CL675096	1	Connector
18	Common Repl. Part	4	$\frac{3}{8}$ " - 24 x 1" Grade S Plain Finish Hex Cap Screw
19	Common Repl. Part	5	$\frac{3}{8}$ " Plain Finish Medium Split Lock Washer
20	CL54108	2	Washer, Thrust
21	CL656108	1	Bearing
22	Common Repl. Part	2	$\frac{1}{2}$ " - 30 x 3" Grade 5 Plain Finish Hex Cap Screw
23	*Common Repl. Part	4	$\frac{1}{2}$ " Belleville Washer
24	CU541950W	1	Sprocket Assembly w/ Bearings

Sprocket Housing Assembly - DA7058900, cont.			
Item #	Part #	# Req'd	Description
25	CL53107	2	Bearing
26	CL12108	1	Washer
27	Common Repl. Part	1	$\frac{3}{8}$ " - 16 x 2" Grade 5 Zinc Plated Hex Cap Screw
28	CL334066	1	Chain, .625 Pitch
29	*CU542950K	1	Sprocket Assembly w/ Bearings
30	CL670107	2	Bearing
31	CU674104	1	Shaft, Shoe
32	SHM115	1	Housing, Sprocket
33	*CL309104	1	Shaft, Sprocket
34	CL667950KW	1	Sprocket Assembly w/ Bearings
35	CL53107	2	Bearing
36	CL224028	1	Stop Screw
37	CL669101	1	Locking Plate
38	Common Repl. Part	1	$\frac{5}{16}$ " - 24 x $\frac{1}{2}$ " LG Grade 5 Med. Carbon Stl. Zinc Plated
39	Common Repl. Part	1	$\frac{5}{16}$ " Zinc Plated USS Flat Washer
40	Common Repl. Part	1	$\frac{1}{4}$ " Plain Finish USS Flat Washer
41	CL311019	1	Pulley, 10 Groove
42	DA6153006	1	Connector (Body 40) - limit switch
43	CM26006	8	Terminal, Female - limit switch
44	CM33006	1	Connector (M-1) - motor
45	CM28006	2	Terminal, Female - motor
46	Common Repl. Part	1	#10 - 32 x $\frac{3}{32}$ " LG.
47	CU675108	2	Washer
48	Common Repl. Part	1	CAP

\*These items come with bearings installed.

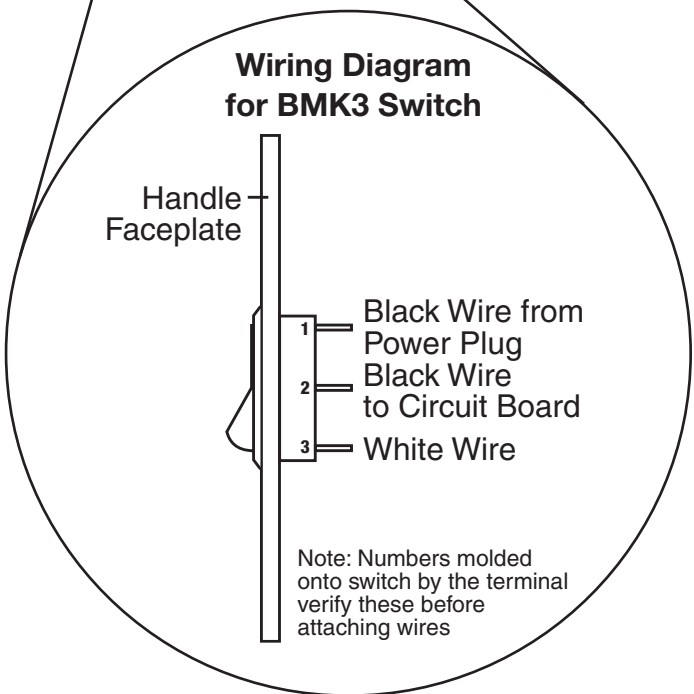


**Figure 7**  
**Handle and Control Circuit Assembly – HC12**

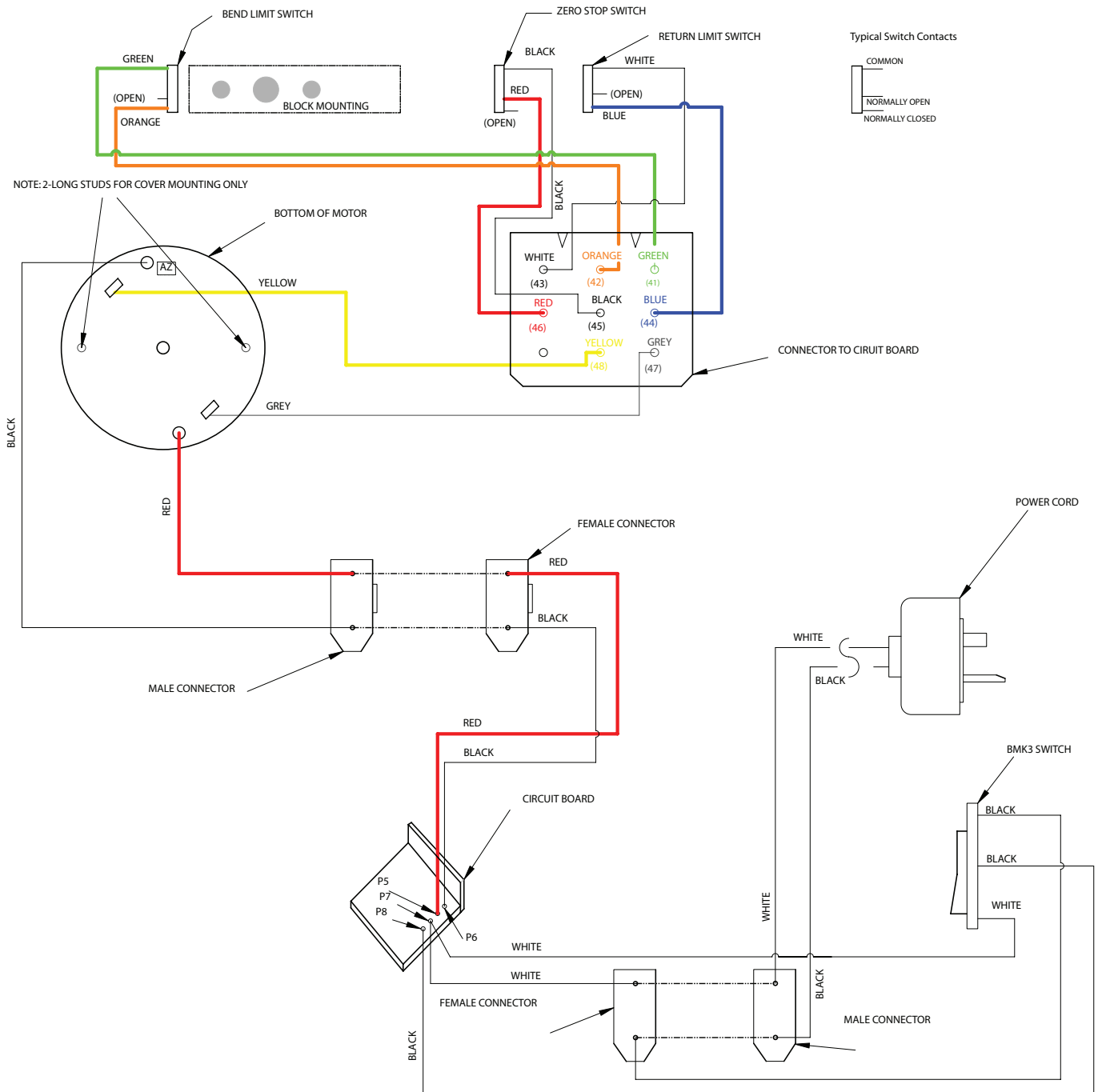


HC12 Contents			
Item #	Part #	# Req'd	Description
1	CJ458885	1	Locknut
2	CM178647SR	1	Plug Assembly
3	CM32006	1	Receptacle, Power Cord
4	CM25061	2	Pin, Cord Receptacle
5	PO5C	1	Pendant Station Assm
6	Common Repl. Part	3	#6 -32 X 3/8" LG. Button Hd. Cap Screw
7	DA6152006	1	Receptacle, Pendant
8	CM27061	8	Pin, Receptacle
9	LK15	1	Decal, Kit
10	LK15	1	Decal, Kit
11	EC2006	1	Circuit Board
12	H905	1	Handle Assembly
13	Common Repl. Part	4	1/2" - 13 x 3/8" Alloy Plain Finish Socket Head Cap Screw
14	DA7046900	1	Wire, Jumper
15	F1550	1	Grip, Cord
16	Common Repl. Part	1	#10 Hi-Collar Helical Spring Lock Washer
17	Common Repl. Part	4	1/2" Plain Finish High Collar Lock Washer
18	CB25	1	Switch
19	RA19	1	Braking Resistor

Item 3 is packed with item 4 loose.  
 Item 7 is packed with item 8 loose.  
 Instructions provided for assembling loose connectors.  
 DA 7070900 Limit Switch Jumper (not shown) (for older units)



# Wiring Schematic



## NOTES

**GARDNER BENDER LIMITED WARRANTY:** Gardner Bender warrants its product against defects in workmanship and materials for 1 year from date of delivery to user. Chain is not warranted. Warranty does not cover ordinary wear and tear, abuse, misuse, overloading, altered products or use of improper fluid.

**LIMITED:** Limited means that GB warrants to the original purchasers of products from GB authorized distributors at the time of shipment such products shall be free of defects in material and workmanship while the tool is used under normal working conditions. Standard wear and tear, dulling over time, overloading, misuse, and acts of God are not covered under warranty. This warranty does not cover batteries, fuses, or test leads.

When a warranty claim arises, the purchaser must contact GB. If the defect comes under the terms of this limited warranty, GB will arrange, at its sole discretion, one of the following options:

- The product will be repaired at an authorized GB Service Center
- Product will be replaced

The purchaser is solely responsible for determining the suitability of GB for the purchaser's use or resale, or for incorporating them into articles or using them in the purchaser's applications. The distributor is authorized to extend the foregoing limited warranty to its original purchasers in connection with the sales of GB products, provided that such products shall not have been altered by the distributor. The distributor shall be fully responsible for any warranties the distributor makes to its purchasers which are broader or more extensive than GB limited warranty.

#### **LIFETIME WARRANTY**

Warranty Limitation: The forgoing warranties are exclusive and are in lieu of all other express and implied warranties whatsoever, including but not limited to implied warranties of merchantability and fitness for a particular purpose. The foregoing warranties do not cover ordinary wear and tear, abuse, misuse, overloading, alterations, products which have not been installed, operated or maintained in accordance with GB written instructions. Test leads, fuses, and batteries are not covered under any implied warranty. "Lifetime" of products that are no longer offered by GB will be either repaired or replaced with an item of GB Instruments choice of similar value. Lifetime is defined as 5 years after GB discontinued manufacturing the product, but the warranty period shall be at least ten years from date of purchase. Original proof of purchase is required to establish original ownership of product.

No warranty will be honored unless an invoice or other proof of purchase date is provided to Gardner Bender.  
Hand written receipts or invoices will not be honored.

©2016 Product Power, LLC All rights reserved. - See more at: <http://www.gardnerbender.com/en/resources/warranty-page#sthash.5Y2dIBQV.dpuf>

