

Mobile Bend-Mate™ Ultra Eegor™ Bending Table

SAFETY FIRST

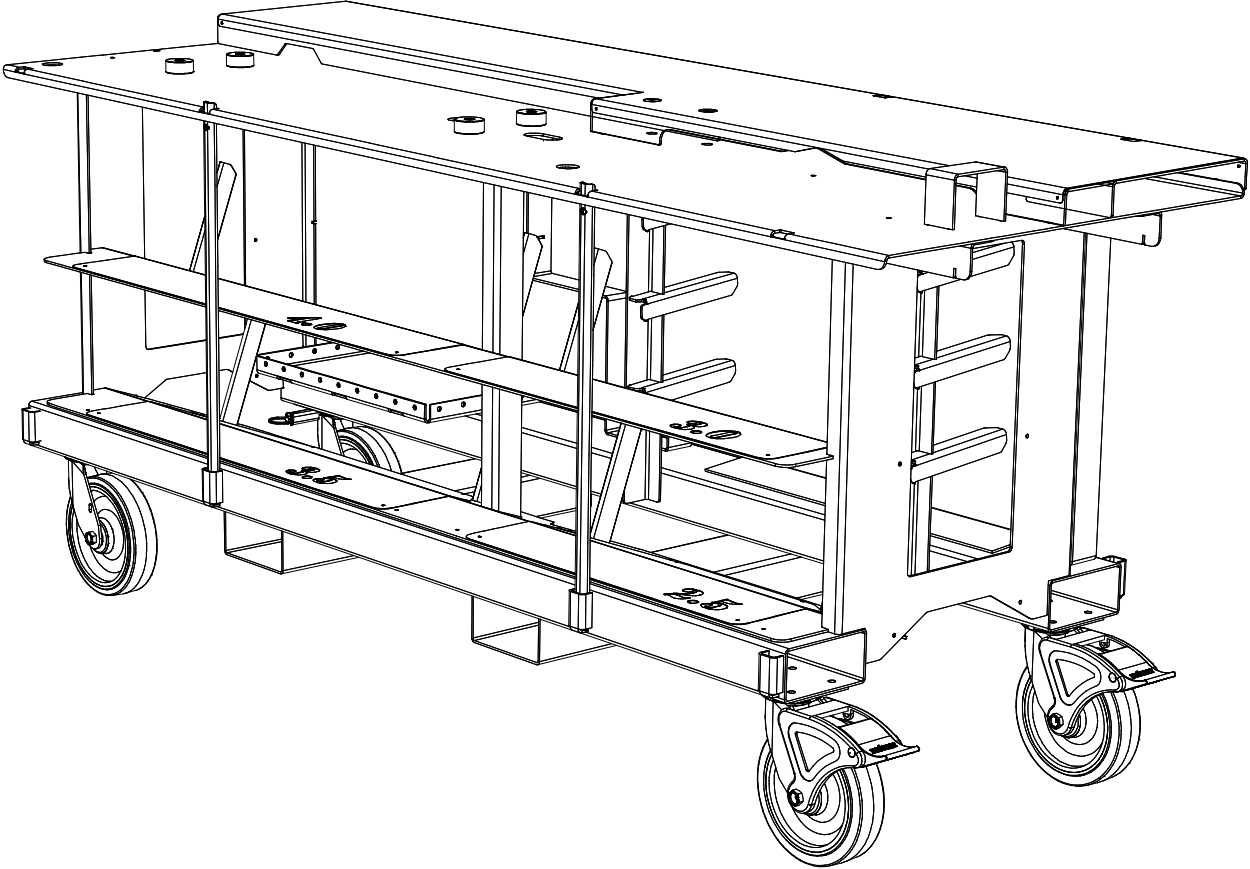
IMPORTANT — USER SAFETY AND PROTECTION: In setting up systems to fit your operations, take care to select the proper components and design to insure appropriate integration with your operations and existing equipment. Observe safety measures to avoid the risk of personal injury and property damage from your application or system.

GARDNER BENDER CANNOT BE RESPONSIBLE FOR DAMAGE OR INJURY CAUSED BY UNSAFE USE, MAINTENANCE OR APPLICATION OF ITS PRODUCTS. Please contact Gardner Bender for guidance when you are in doubt as to the proper safety precautions to be taken in designing and setting up your particular application.

Mobile Bend-Mate™ Ultra Eegor™ Bending Table

Contents

- Description 3
- Overview 3
- Safety 3
- Unpacking 3
- Identification 3-4
- Hydraulic Hose Runs 4
- Mounting Bender to Table Top 5
- Securing Accessories 5-6
- Mobility 6
- Replacement Parts 7



Description

The Gardner Bender Mobile Bend-Mate™ Table is designed to be used with the Ultra Eegor™ hydraulic conduit bender. Due to its overall compact size and locking swivel casters, mobility has significantly increased. Additionally, due to components being centrally stored, provides minimal setup time.

Overview

This manual is to provide a general summary of the Mobile Bend-Mate™ Table. For information on conduit bending, please refer to instruction sheet ZRPS-0023 for the proper use and maintenance of the Ultra Eegor™ conduit bender.

Safety

The instruction manual and labels applied to the product provide information for avoiding injury or death from unsafe practices related to setting up and operating this machine. It is critical that all personnel involved with the use of this machine understand these hazards and unsafe practices. The three levels (Danger, Warning, and Caution) define the severity of the hazard.

⚠ DANGER: Immediate hazards that if not avoided WILL result in severe injury or death.

⚠ WARNING: Serious injury or death COULD occur if proper attention is not observed.

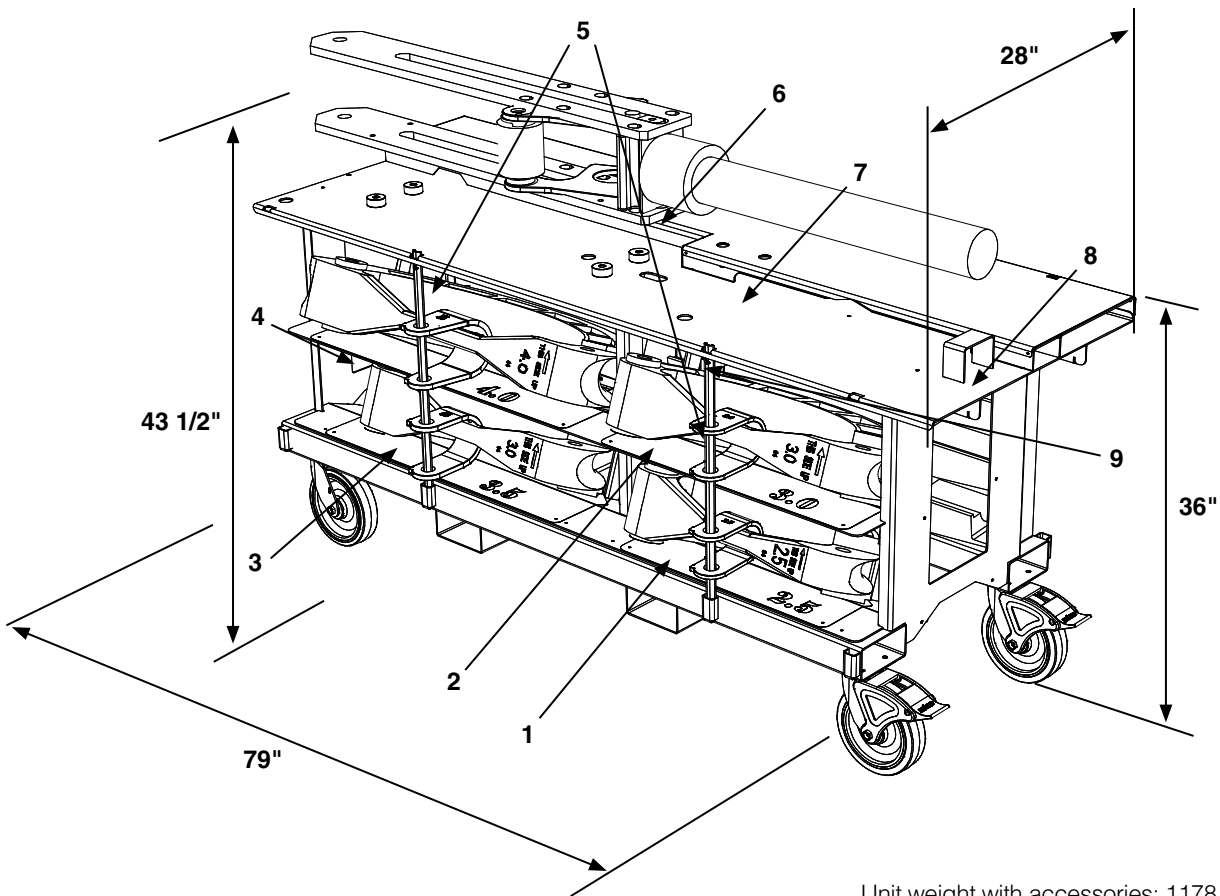
⚠ CAUTION: Injury or property damage MAY occur if proper attention is not observed.

Unpacking

Prior to unpacking, place unit on a flat surface. Remove crate framework and banding from unit.

⚠ WARNING: When removing unit from pallet, use only a forklift.

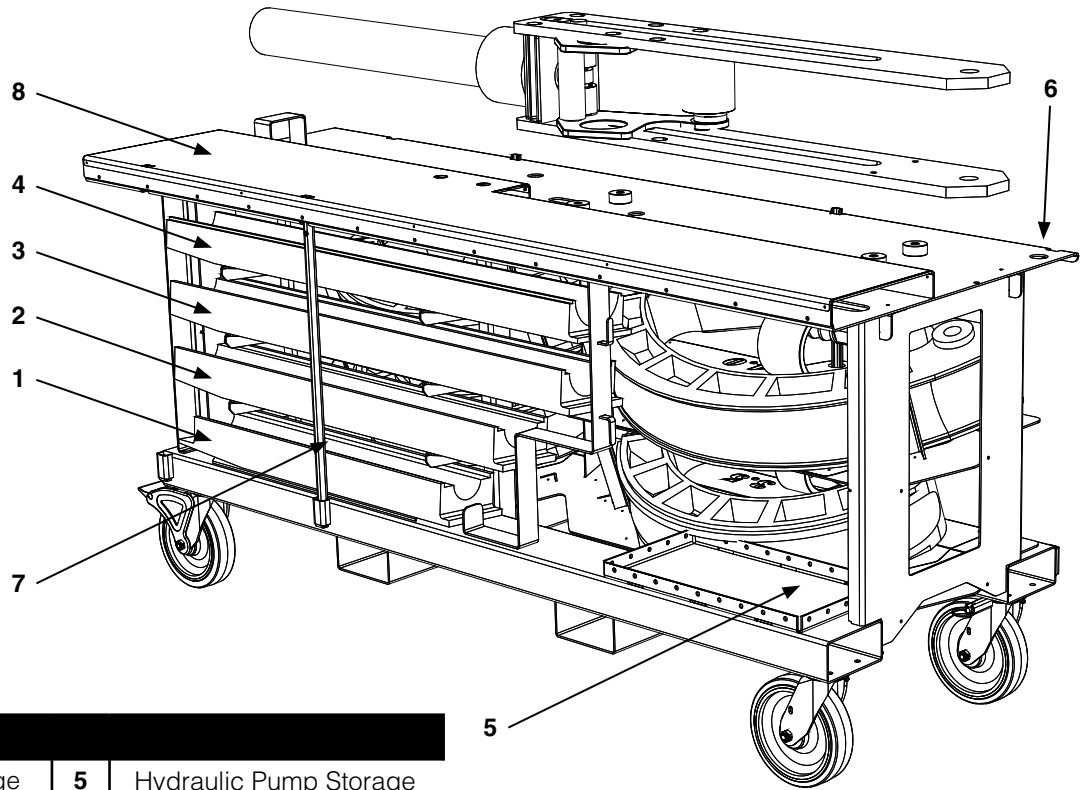
⚠ WARNING: Do not attempt to remove unit by hand!



Unit weight with accessories: 1178 lbs

IDENTIFICATION

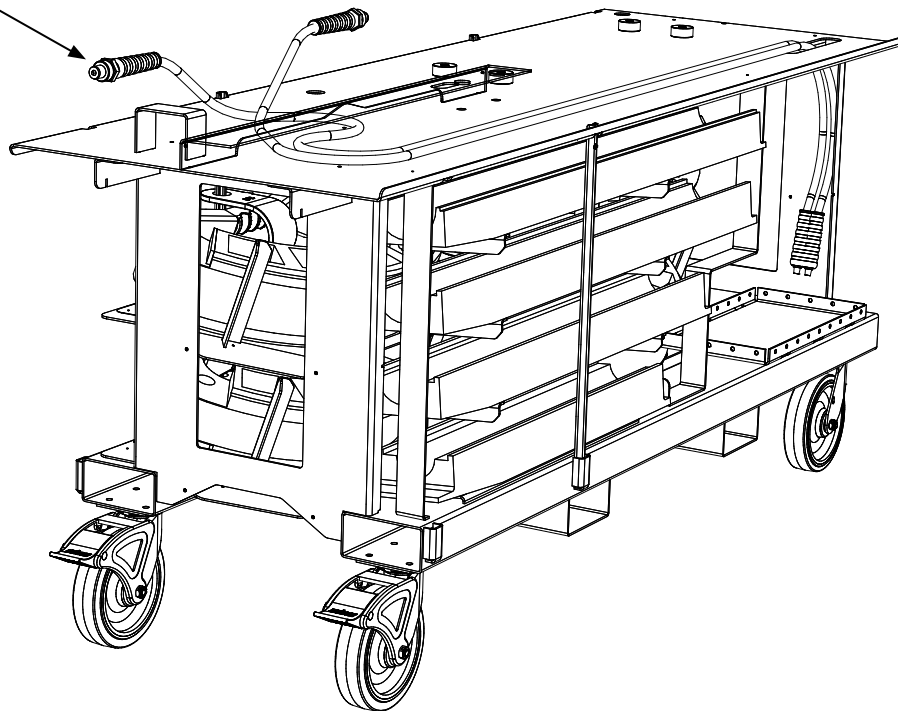
1	2.5" Shoe Storage	6	Ultra Eegor™ Long Stroke Bender
2	3.0" Shoe Storage	7	Anchor Pin Storage Area
3	3.5" Shoe Storage	8	Cylinder Support
4	4.0" Shoe Storage	9	U-Strap Pin Storage
5	Security Bars: Shoes		



IDENTIFICATION

1	2.5" Follow Bar Storage	5	Hydraulic Pump Storage
2	3.0" Follow Bar Storage	6	Pivot Pin Storage
3	3.5" Follow Bar Storage	7	Security Bar: Follow Bar
4	4.0" Follow Bar Storage	8	Work/Bending Area

Pump Hose Routing



For pump hose connection instructions, refer to provided ZU4 Pump Series Instruction Sheet RPS-0152.

For cylinder hose connection instructions, refer to provided Hydraulic Bender instruction sheet ZRPS-0023.

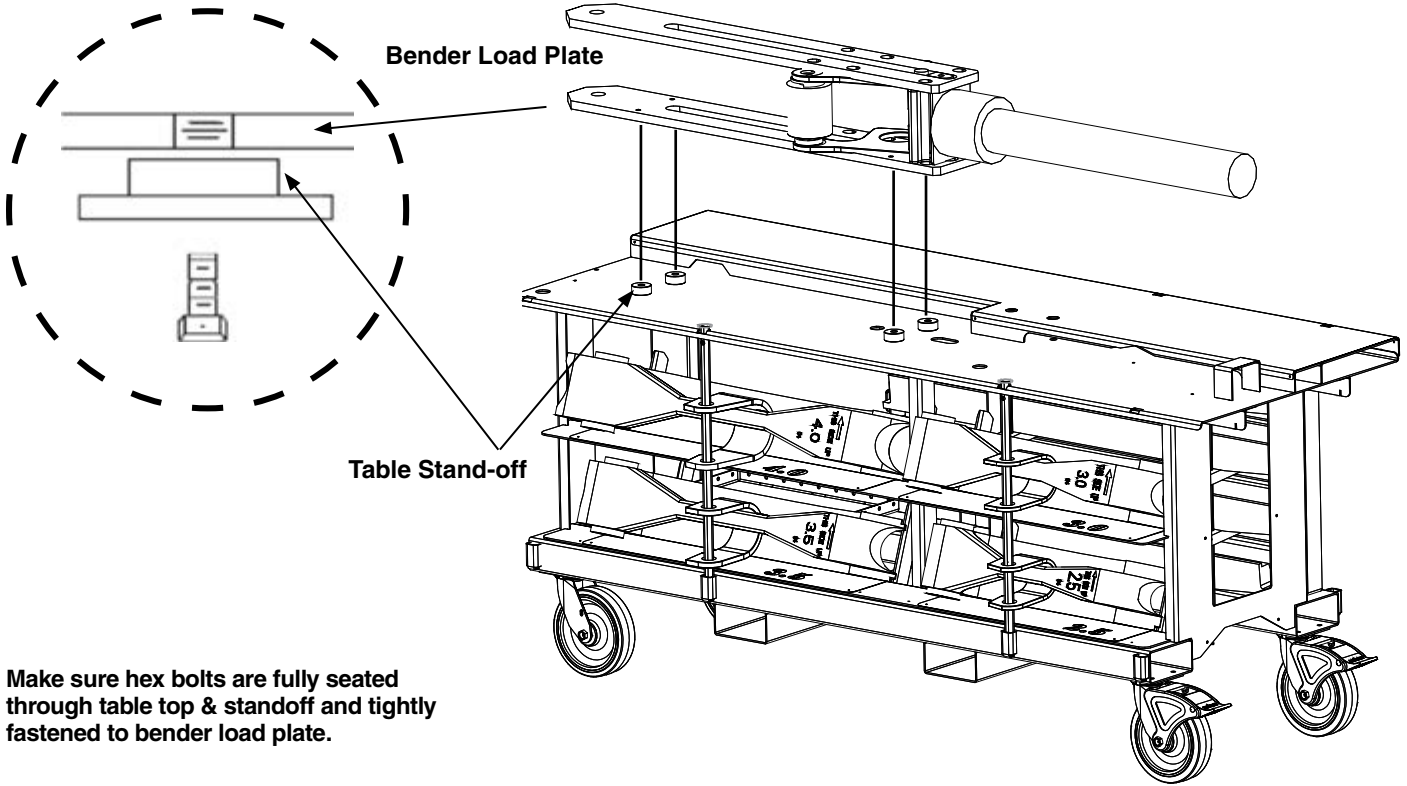
Mounting Bender to Table Top



Carefully align Ultra Eegor™ Long Stroke bender mounting holes with mounting pads found on table top.

From underneath of table, securely install hex bolts through table standoff and bender load plate.

⚠ WARNING: Body parts are in danger of being crushed by moving or movable parts.

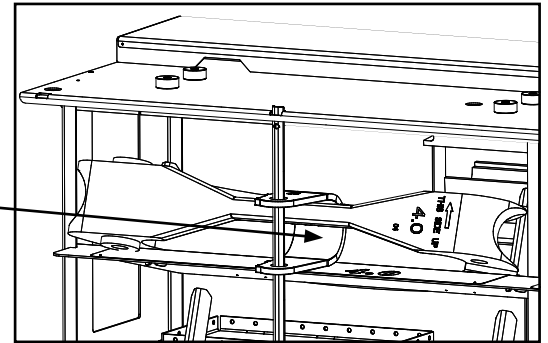


Make sure hex bolts are fully seated through table top & standoff and tightly fastened to bender load plate.

Conduit Bending Shoes

To properly secure bending shoes within unit, place corresponding sized U-Strap between shoe and feed security bar through the U-Strap holes as shown below.

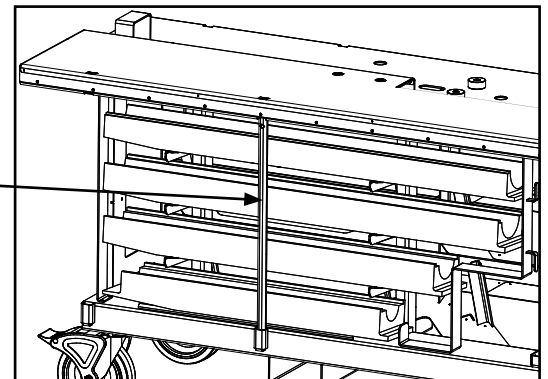
Place lock (not included) on security bar to firmly secure.



Follow Bars

To properly secure follow bars, install security bar through table top until fully seated.

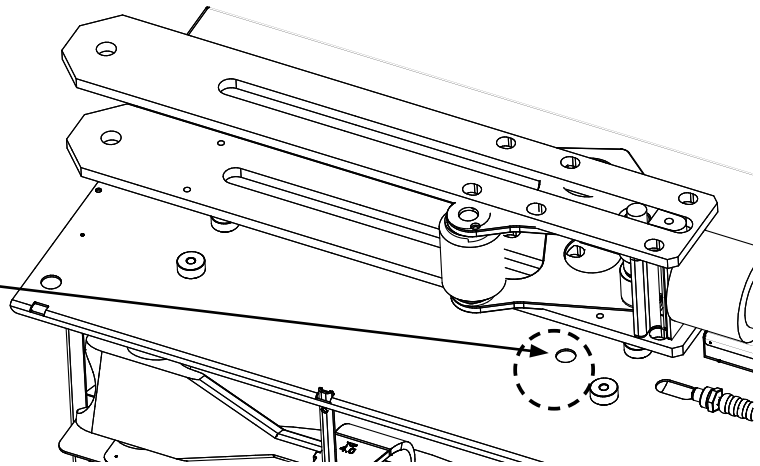
Place lock (not included) on security bar to firmly secure.



Bender

If desired, the Mobile Bend-Mate™ Table will accommodate a cable lock to be threaded through a tabletop opening and around the Bender for security while not in use.

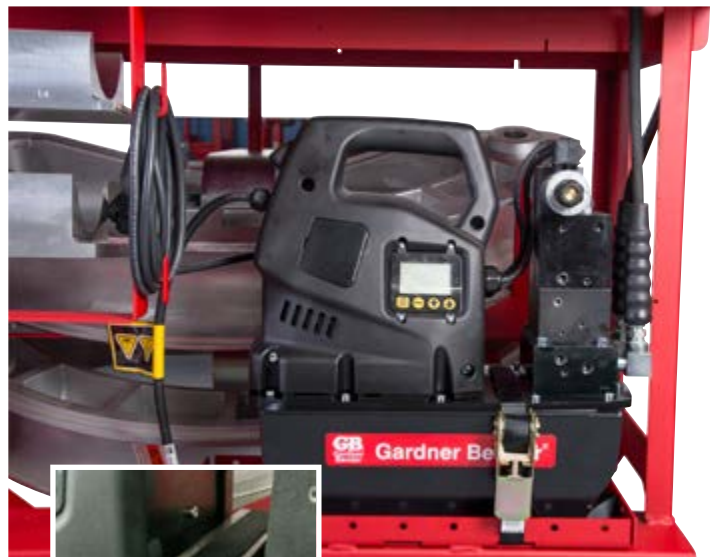
Tabletop opening located underneath Bender



P408S Z-Class™ Hydraulic Pump

Specifications

Motor Size	1.7hp
Type	Z-Class™
Reservoir Capacity	2 gallon
Pump Type	double-acting
Pressure Rating	
1st stage (psi)	100
2nd stage (psi)	10,000
Output Flow Rate	
1st stage (in ³ /min)	700
2nd stage (in ³ /min)	60
Valve Type	4 way/3 pos.
Current Draw (max) (Amps)	20
Motor Voltage (VAC)	115
Sound (dba)	85-90
Weight (lbs)	85
Relief Valve Adj. Range (psi)	2,000-10,000



Pump is secured to the table using the bracket and table strap.

Pump Security

The hydraulic pump can be secured similarly by threading a cable lock between pump handle and around table chassis.

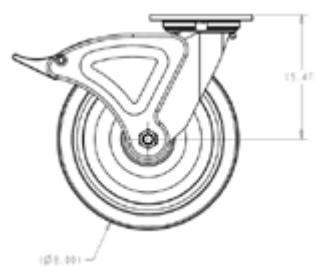
⚠ WARNING: Remove RED shipping plug before use & install Reservoir Breather Cap to prevent damage or bodily harm.

COMPONENTS

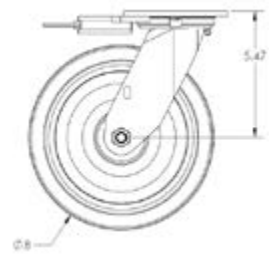
Part #	Description	Qty
ZCM645	Cable Strap	1
ZB00001	Bracket Bridge	1
Included	Breather	1

Mobility

The Mobile Bend-Mate™ is extremely maneuverable due to incorporating 8" front swivel casters with footbrake and 8" rear swivel locking casters.

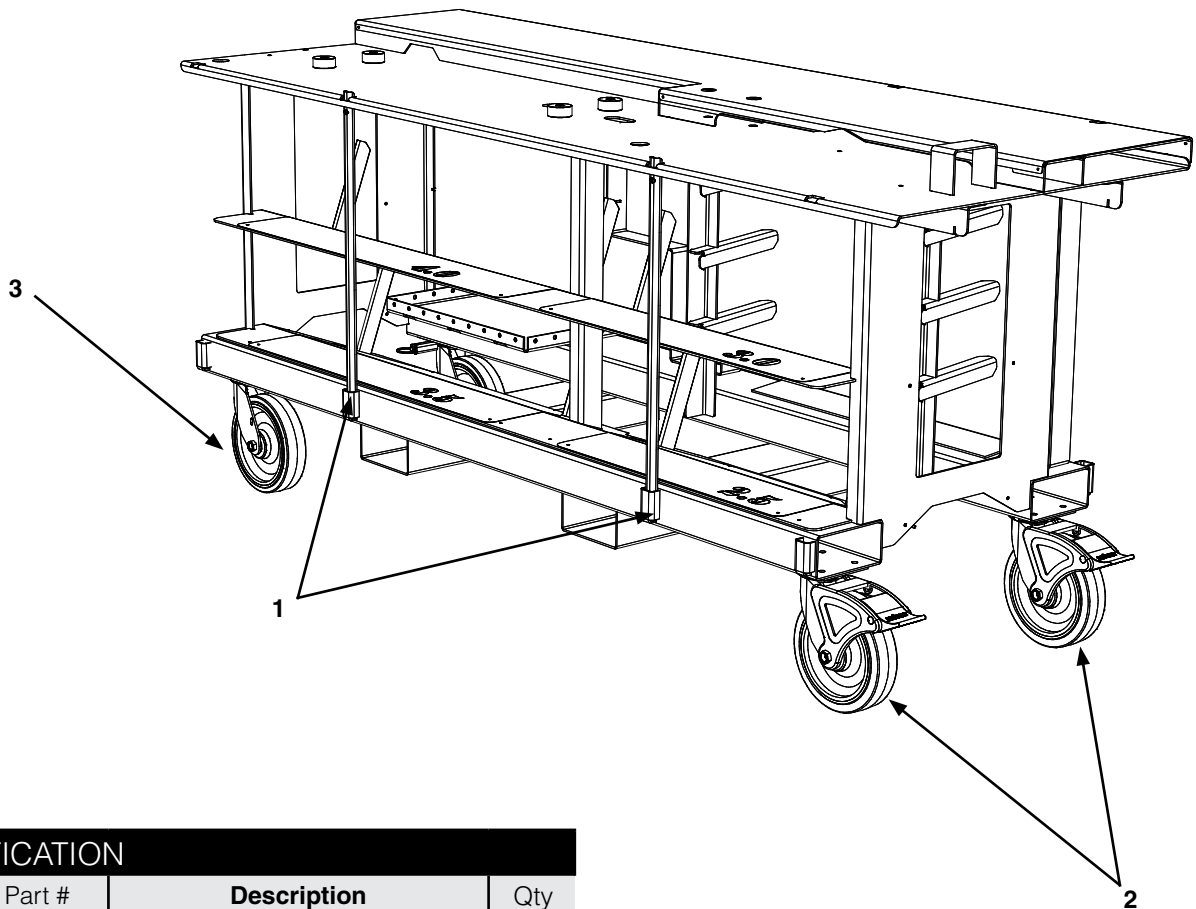


Front Swivel Caster with Footbrake



Rear Swivel Locking Caster

Replacement Parts



IDENTIFICATION

Item	Part #	Description	Qty
1	ZB00020	Shoe/Follow Bar Security Bar	3
2	ZCP00107	Front: Swivel Caster with Brake	2
3	ZB00107	Rear: Swivel Locking Caster	2

REPAIR AND SERVICE INSTRUCTIONS: For repair service and parts contact your nearest Gardner Bender Service Center. The Service Center will provide complete and prompt service on all Gardner Bender products.

PARTS AND SERVICE: For quality workmanship and genuine Gardner Bender parts, select an Authorized Gardner Bender Service Center for your repair needs. Only repairs performed by an Authorized Service Center displaying the official Gardner Bender Authorized sign are backed with full factory warranty. Contact Gardner Bender for the name of the nearest Gardner Bender Authorized Service Center.

WARRANTY: Gardner Bender warrants its products against defects in workmanship and materials for 3 year from date of delivery to user. Warranty does not cover ordinary wear and tear, abuse, misuse, overloading or altered products.

WARRANTY RETURN PROCEDURE: When question of warranty claim arises, send the unit to the nearest Gardner Bender Authorized Service Center for inspection, transportation prepaid. Furnish evidence of purchase date. If the claim comes under the terms of our warranty the Authorized Service Center will REPAIR OR REPLACE PARTS AFFECTED and return the unit prepaid.



Visit gardnerbender.com

Notes