

IMPORTANT: RECEIVING INSTRUCTIONS

Visually inspect all components for shipping damage. If you find damage, notify the carrier at once. Shipping damage is NOT covered by warranty. The carrier is responsible for all repair or replacement costs resulting from damage in shipment.



TECHNICAL DATA

Input Voltage: 120V ~ 60Hz, 40W
Socket Outlet: 125V ~ Max. 1500W

WARNING SAFETY INFORMATION

1. Device will only operate at the specified voltage.
2. Repairs may only be carried out by a specialist.
3. Upon discovery of a technical error, or if there is visible damage the light must not be put into operation.

WARNING

DRY LOCATION USE ONLY

RISK OF ELECTRIC SHOCK: Do not use extension cord near water or where water may accumulate. Keep light at least 16 feet from pools and spas. Keep plugs and receptacles dry. For use only on GFCI protected circuits.

WARNING

1. Please keep a safe distance of 0.5M. Lighted fixture gets Hot! Do not touch the lighted diode area. The heat-dissipating aluminum surface temperature during operation may be high, which may cause burns.
2. Any changes or modifications to this unit not expressly approved by the party responsible for compliance could void the user's authority to operate the equipment.

WARNING

Improper use of this work light can result in injury or death. Follow all safeguards stated in this manual in addition to normal safety precautions when working with electrical devices. DO NOT attempt to service this device. When using outdoor portable work lights, always follow basic safety precautions to reduce the risk of fire, electric shock and personal injury.

1. Do not use the work light in the immediate vicinity of flammable materials or gases.
2. Only use accessories included with this product.
3. Do not point the light directly in your own or any other person's or animal's eyes.
4. If the supply cord is damaged, it must be replaced by a cord with identical specifications to avoid a hazard.
5. Keep a minimum of 20 inches (0.5m) minimum away from other light fixtures
6. Keep the lamp out of reach of children.
7. Read and follow all safety rules and operating instructions before first use of this product.

Figure 1

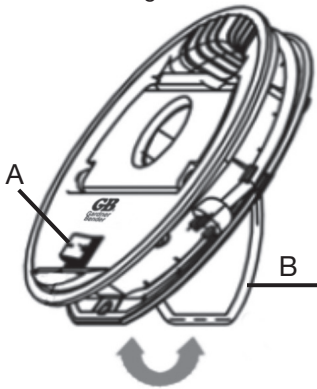


Figure 2

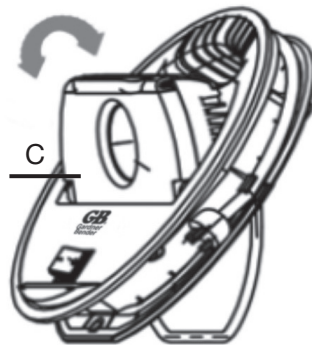
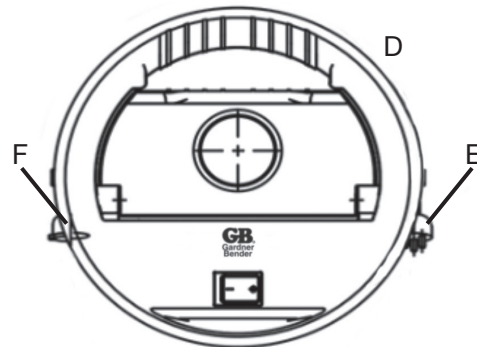


Figure 3



PRODUCT FEATURES

- | | |
|--------------------|-----------------------|
| A. ON/OFF Switch | D. Easy Cable Storage |
| B. Swivel Stand | E. Plug |
| C. Swivel LED Body | F. Socket |

OPERATING INSTRUCTIONS

1. Powering the Light ON/OFF

Unwrap power cord plug, Figure 3 (E) to desired length and plug into a functioning electrical outlet. Press the On/Off Switch (A), Figure 1. For Safety purposes, when done using the light always wrap the power cord and extension in the Easy Cable Storage (D), Figure 3.

2. Adjusting Stand & Lighting Angle

The tilting angle of the light can be adjusted as necessary by pulling the stand (B), Figure 1 and locking in place. The lighting angle can be adjusted by lightly pulling down on the swivel LED body (C), Figure 2.

3. Mounting the Light with Magnets

The 4 heavy duty magnets on the back of the light can be used to mount the light to any metal device that is large enough and safely secured to support the weight of the light. After the light is mounted by the magnets, be sure to double-check it securely mounted to avoid it falling and potentially causing injury and/or damage.

4. Using Extension Cord

Unwrap extension cord connector, Figure 3 (D) to desired length and plug in secondary desired powered device (125V ~ Max.1500W). To avoid injury or harm, be sure the secondary device is turned off or that the light On/Off switch (A) is in the OFF position so the secondary item does not immediately power on.

CLEANING

Before cleaning, please remove the plug from the power socket. For reasons regarding electrical safety, please clean this product with a damp cloth. Do not use any harsh cleaning agents or chemicals.

WARRANTY INFORMATION

The guarantee is not applicable for not following the instructions and improper handling of the lamp or lamps of individual part. Forcibly opening the lamp will void the warranty! For Operating and connection errors beyond our control and resulting damages, we assume no liability.

NOTE: The external flexible cable or cord of this luminaire cannot be replaced; if the cord is damaged, the luminaire shall be destroyed.

The light source of this luminaire is not replaceable; when the light source reaches its end of life the whole luminaire shall be replaced.

Repairs may only be carried out by an authorized service centre. Original bill of purchase must be submitted.

The warranty will not apply in cases of: normal wear and tear, changes, modifications, damage caused by careless, external influences, any application this product is not meant for or partially or completely dismantled appliances.



Luminaires not suitable for direct mounting on normally flammable surfaces (suitable only for mounting on non-combustible surfaces).

FCC WARNING STATEMENTS:

This device complies with part 15 of the FCC Rules. Operation is subject to the following two conditions: (1) This device may not cause harmful interference, and (2) this device must accept any interference received, including interference that may cause undesired operation.

CLASS B DEVICE:

NOTE: This equipment has been tested and found to comply with the limits for a Class B digital device, pursuant to part 15 of the FCC Rules. These limits are designed to provide reasonable protection against harmful interference in a residential installation. This equipment generates, uses and can radiate radio frequency energy and, if not installed and used in accordance with the instructions, may cause harmful interference to radio communications. However, there is no guarantee that interference will not occur in a particular installation. If this equipment does cause harmful interference to radio or television reception, which can be determined by turning the equipment off and on, the user is encouraged to try to correct the interference by one or more of the following measures:

- Reorient or relocate the receiving antenna.
- Increase the separation between the equipment and receiver.
- Connect the equipment into an outlet on a circuit different from that to which the receiver is connected.
- Consult the dealer or an experienced radio/TV technician for help.

One Year Warranty limited solely to repair or replacement; no warranty of merchantability or fitness for a particular purpose. Product is warranted to be free of defects in materials and workmanship for the normal life of the product. In no event shall Gardner Bender be liable for incidental or consequential damage.