

IMPORTANT: RECEIVING INSTRUCTIONS

Visually inspect all components for shipping damage. If you find damage, notify the carrier at once.
Shipping damage is NOT covered by warranty. The carrier is responsible for all repair or replacement costs resulting from damage in shipment.



TECHNICAL DATA

LED:	30W COB
Model:	GWL-30HD
Lumen:	100% 3000lm, 50% 1500lm, 10% 300lm
LED Color Temperature:	Approx 6500K
Charger Input:	100-240Vac 50/60HZ Max.0.5A
Battery:	7.4V 4400mAh 32.56wh Li-ion
Charging Time:	4-5 hours
Operation Time :	100% switch: 3000LM for 2.5hrs 50% switch: 1500LM for 5.0hrs 10% switch: 300LM for 10hrs
Lamp output:	5V Max.2000mA
IP65 ; IK08	Charger IP44 When cover is unscrewed



WARNING SAFETY INFORMATION

1. Do not use the lamp in the immediate vicinity of inflammable materials or gases.
2. Only use the accessories included with the product .
3. Keep the lamp out of reach of unauthorized persons, especially children.
4. Do not point the light directly in your own or any other person's or animal's eyes.
5. Always check the mains cable before you use the lamp.
6. If the supply cord is damaged, it shall be replaced by a similar qualified person in order to avoid a hazard
7. Secure screw on charging port cover after every charge. Do not use near water while charging.

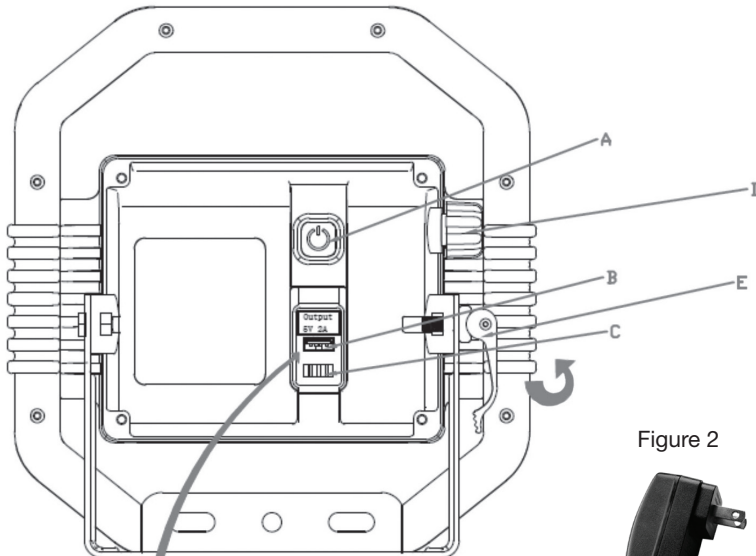


Figure 1



Figure 2



PRODUCT FEATURES

- A. 100% / 50% / 10% ON/OFF Switch
- B. USB OUTPUT Socket (charging separate device)
- C. LED Indicator
- D. DC INPUT Hole (charging the battery)
- E. Fast Lock (swivel change the lighting angle)
- F. Power Connector

OPERATING INSTRUCTIONS

1. Adjusting Mounting Bracket/Stand

The tilting angle of the light can be adjusted as necessary by means of the folding bracket. To do so, unlock the Fast Lock lever (E) in Figure 1 and re-tighten after adjusted to the desired angle. The light can be mounted on a tripod (not included in package).

2. Switching the Light ON/OFF (A)

Use the ON/OFF switch (A) to switch the light on. The light is now lit with 100% brightness. Press the switch twice to set the brightness to 50% and then 10%. This way, the lighting duration is respectively extended. To switch off the device, press the ON/OFF switch (A) again.

3. Battery Status Indicator (C) - Figure 1

Indicates the current battery charge when the light is switched on. If all 4 LEDs are lit, the battery is fully charged. If the battery is almost empty, the LED light flashes 5 times and the battery status indicator flashes continuously. Afterwards, the light remains on for about 10 minutes with reduced brightness before it switches off by the deep discharge protection function. This ensures sufficient time to change the battery, plug in device or complete the task the light is being used for.

4. USB Power Bank Function (B) - Figure 1

This function enables charging of devices via USB cable with a charging current of up to 2000mA (e.g. smart phones). To charge the target device, connect it with an USB charging cable to the USB charging port (B) under the transparent cover cap on the back of the device. After charging, close the cover cap door.

5. Charging the Light Battery (D) - Figures 1 & 2

To ensure optimum function, we recommend fully discharging the integrated battery on the first use and fully charging it afterwards. The charging port (D) is located under the screw on cap above the Fast Lock Lever (E) Connect the power supply connector (Figure 2) to charging port (D) and plug the power supply connector into a powered electrical outlet. The charging status of the battery is indicated by the battery status indicator(see description above). If all 4 LEDs are lit, the battery is fully charged. The light can be used during the charging process. However, it is automatically set to 50% brightness and the charging duration of the battery is extended. If the device is not used for longer periods of time, charge the battery at regular intervals of approx. 3 months to ensure a long service life.

After charging, always screw on the charging port cap to avoid battery damage and to maintain IP65 rating.

CLEANING

Before cleaning the LED floodlight, disconnect the power cable and allow the floodlight to cool down sufficiently, Clean with a dry or slightly moist, clean, lint-free cloth and a mild detergent if required. Do not use cleaners that contain abrasives or solvents.

MAINTENANCE

1. Check the plug, power cable, and housing of the LED floodlight for damage before each use. If the lens is damaged it must be replaced immediately.
2. Clean any dirt from the housing or the lens immediately, since it could cause overheating.
3. Every 3 months to charging the lamp for longer battery lifetime .

One Year Warranty limited solely to repair or replacement; no warranty of merchantability or fitness for a particular purpose. Product is warrantied to be free of defects in materials and workmanship for the normal life of the product. In no event shall Gardner Bender be liable for incidental or consequential damage.