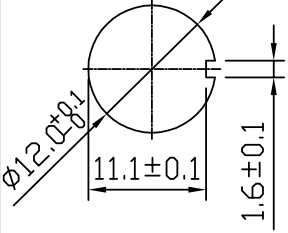

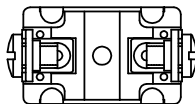
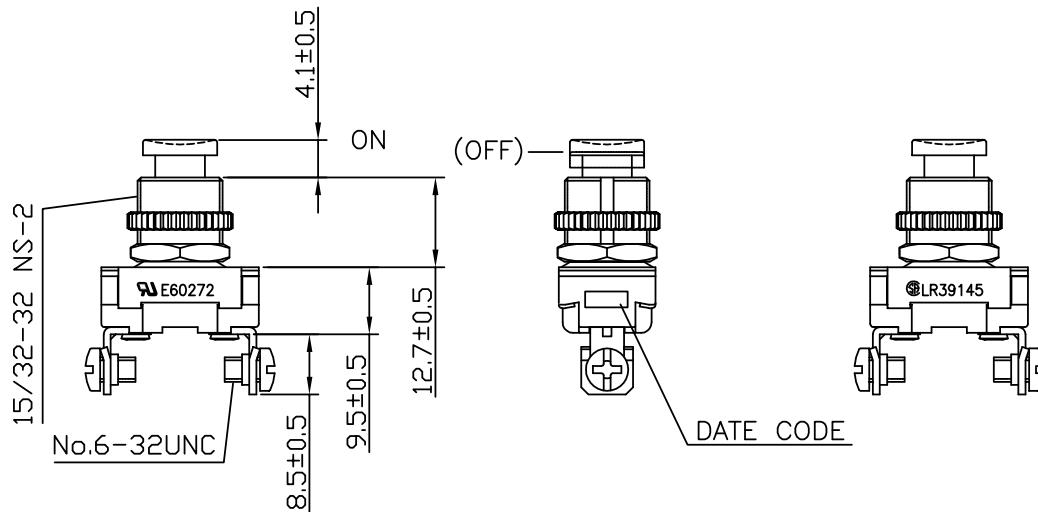
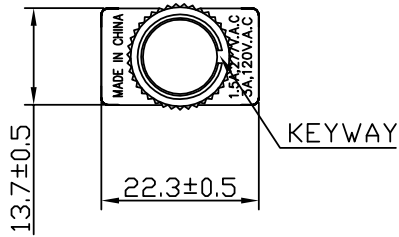


Rating	3A 120V AC, 1.5A 277V AC	Mounting Hole		Circuit Diagram	
Contact R	50m ohm Max.				
Insulation R	DC 500V 100M ohm Min.				
Dielectric Strength	AC 1500V 1 minute				
Circuit	2P SPST ON-(OFF)				
BUTTON: RED					

- 1 HEX NUT ASSY
- 1 KNURL NUT ASSY



ON or OFF
ENCENDIDO o APAGADO
MARCHÉ ou ARRÊT

