

For more than 25 years Gardner Bender has been designing and manufacturing conduit benders for the professional electrician. From the original aluminum hand benders with bubble vials to the work horse Ultra Eegor™ Gardner Bender has led the way in conduit bending. GB offers a full line of products to bend any type of conduit, EMT, IMC, Rigid and PVC, for any electrical application.

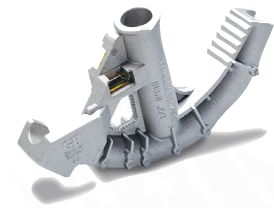
Cyclone™ Electric Bender



BIG BEN™ Aluminum Hand Bender



GARDNER™ Aluminum Hand Bender



HotBlanket™ PVC Bender



Iron Hand Benders



Sidewinder™ Mechanical Bender



Ultra Eegor™ Hydraulic Bender



Electric Sidewinder™ Bender



HotTube™ PVC Bender



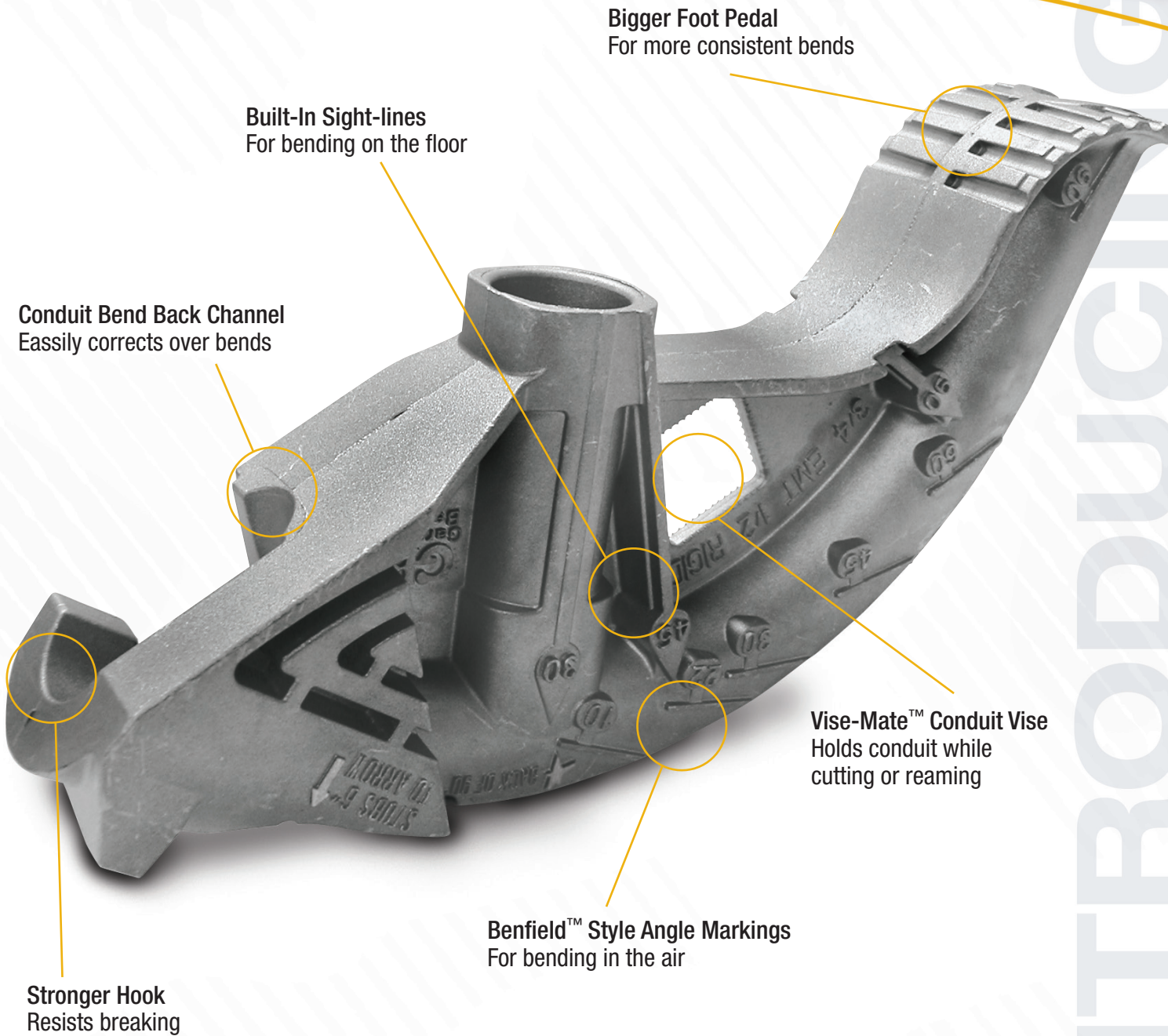
HotBox™ PVC Bender



FULL LINE APPLICATION GUIDE	Conduit Size											
	1/2"	3/4"	1"	1 1/4"	1 1/2"	2"	2 1/2"	3"	3 1/2"	4"	5"	6"
BIG BEN™		•	•	•								
Sidewinder® Mechanical	•	•	•	•	•	•						
Sidewinder® Electrical	•	•	•	•	•	•						
Cyclone™ Electric	•	•	•	•	•	•						
Ultra Eegor™ Hydraulic						•	•	•	•			
One-shot Hydraulic Benders	•	•	•	•	•	•	•	•	•	•		
HotTube™ PVC Bender	•	•	•	•	•	•	•	•	•	•	•	•
HotBlanket™ PVC Bender	•	•	•	•	•	•	•	•	•	•	•	•
HotBox™ PVC Bender	•	•	•	•	•	•	•	•	•	•	•	•



BIG BEN™ Aluminum Hand Bender



Bigger Foot Pedal
For more consistent bends

Built-In Sight-lines
For bending on the floor

Conduit Bend Back Channel
Eassily corrects over bends

Vise-Mate™ Conduit Vise
Holds conduit while cutting or reaming

Benfield™ Style Angle Markings
For bending in the air

Stronger Hook
Resists breaking

Lifetime
Warranty



BIGGER • BOLDER • BETTER

From job site visits to surveying hundreds of contractors GB's marketing and engineering group identified the key desires of end-users for hand conduit benders. In response to the end-user's desires GB's design team "beefed" up several areas of the traditional hand bender to increase durability and improve functionality.

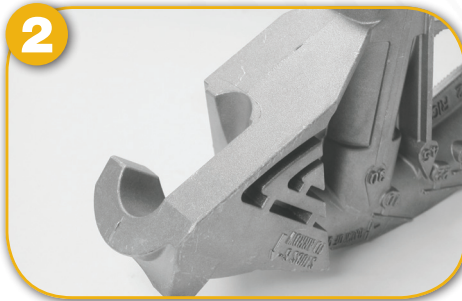
GB's new series of BIG BEN™ aluminum hand benders have improved traditional hand benders by enlarging the hook, increasing the foot pedal size and clearance, highlighting the markings and incorporating a dual sight-line system for bending on the floor or in the air. GB's new BIG BEN™ series offers industry standard Benfield™ markings to simplify the contractor's job. Made of rugged, heat-treated aluminum, the BIG BEN™ series is backed by a lifetime warranty and is available in the most common sizes of 1/2", 3/4" and 1".



1

Benfield Style

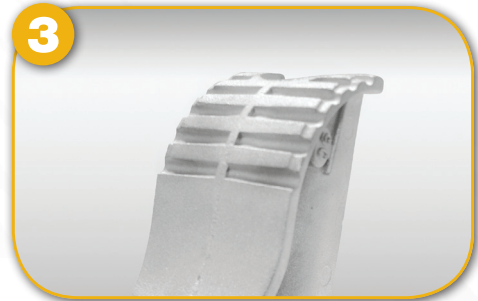
30° bend when handle is straight up.



2

Bigger Hook

With a 5x durability factor



3

Bigger Foot Pedal

40% Larger



4

More Foot Room

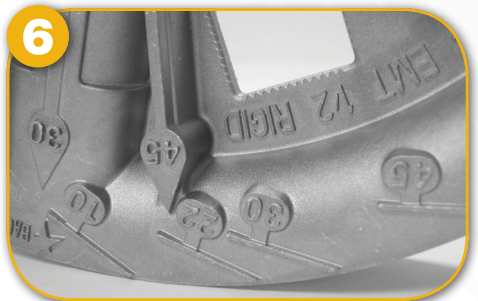
Allows for a booted foot



5

Sight-down Arrows

For bending on the floor



6

Sight Across Marks

For bending in the air



7

Bend-Back Channel

Easily corrects conduit over bends



8

Vise-Mate

Holds conduit while cutting or reaming

1. ARROW ↙

Indicates start of bend. Use for stubs and offset bends.

2. RIM NOTCH

Locates center of saddle bend.

3. STAR ★

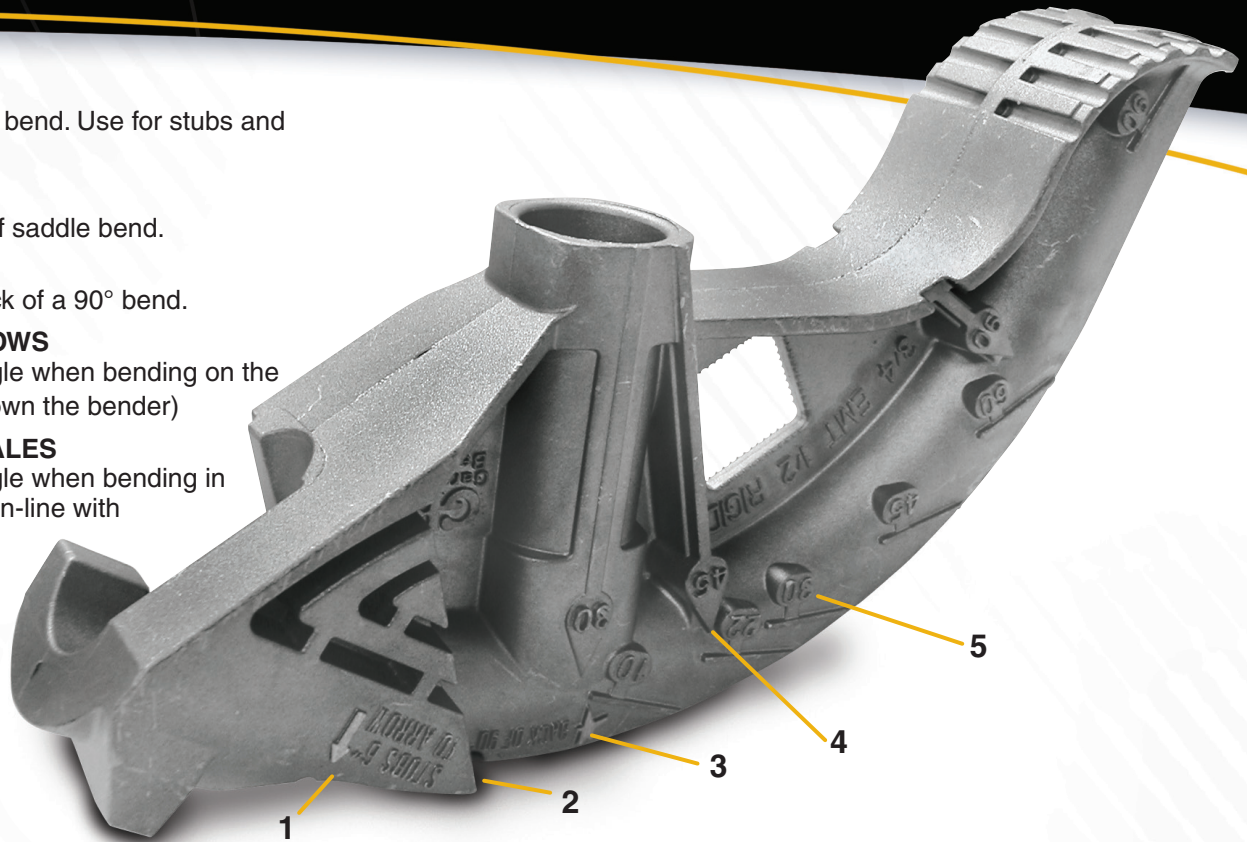
Indicates the back of a 90° bend.

4. ANGLE ARROWS

Indicates the angle when bending on the floor. (sighting down the bender)

5. DEGREE SCALES

Indicates the angle when bending in the air. (sighting in-line with the conduit)



SPECIFICATIONS	960	960H	961	961H	962	962H
Description	Head Only	Head & Handle	Head Only	Head & Handle	Head Only	Head & Handle
Application	½" EMT	½" EMT	¾" EMT / ½" Rigid	¾" EMT / ½" Rigid	1" EMT / ¾" Rigid	1" EMT / ¾" Rigid
Material	Aluminum	Aluminum	Aluminum	Aluminum	Aluminum	Aluminum
Weight	1.34 lbs	5.06 lbs	1.58 lbs	5.34 lbs	3.16	7.01
Product Dims (HxWxD)	4¼"x9¼"x1½"	39½"x9¼"x1½"	4½"x11¾"x2"	39¾"x11¾"x2"	5½"x14¼"x2¾"	46" x14¼"x2¾"
Bend Radius	3.69"	3.69"	4.74"	4.74"	5.81"	5.81"
Unit Pkg Style	box w/ peg holes	box w/ peg holes	box w/ peg holes	box w/ peg holes	box w/ peg holes	box w/ peg holes
Unit Pkg Dims (HxWxD)	7¾"x9¼"x2¼"	41⅞"x9¼"x2¼"	8½"x11"x2⅞"	42"x11"x2⅞"	9¾"x13½"x3½"	48¼"x13½"x3½"
Master Pack Qty	2	2	2	2	2	2
Master Pack Dims	8¼"x5"x9¾"	5"x9¾"x42¼"	9"x6¼"x11½"	6¼"x11½"x42½"	10¼"x7¼"x13¾"	7½"x13¾"x48¾"
Warranty	Limited Lifetime	Limited Lifetime	Limited Lifetime	Limited Lifetime	Limited Lifetime	Limited Lifetime

	EMT			Rigid / IMC		
	½"	¾"	1"	½"	¾"	1"
960	•					
960H	•					
961		•		•		
961H		•		•		
962			•		•	
962H			•		•	