



## Repair Parts Sheet Egor™ Hydraulic Benders B400 and B400L Series

**IMPORTANT: RECEIVING INSTRUCTIONS** Visually inspect all components for shipping damage. If you find damage, notify the carrier at once.

Shipping damage is NOT covered by warranty. The carrier is responsible for all repair or replacement costs resulting from damage in shipment.

### Bends 90°s, Kicks, Offsets, Saddles and Stub-Ups in Standard Radii



1 1/8 HP Electric Hydraulic Pump  
P408S



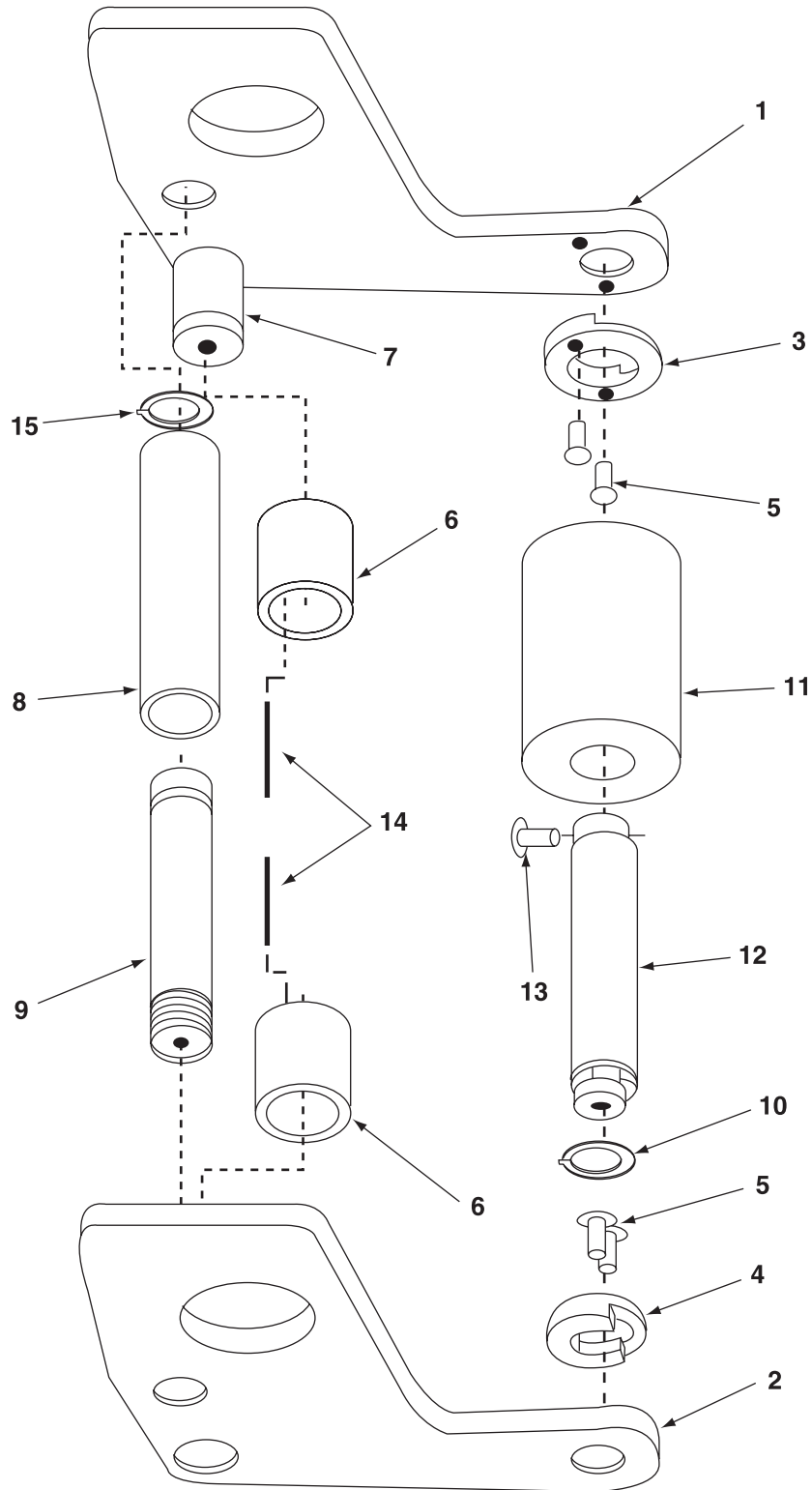
Job Box  
CM20

CM44



Long Stroke Bender  
B400L

# Eegor™ Roller Assembly BZ72



**Notes:**

1. Before assembly, degrease items 5 and 9, and apply Loctite #242 Master Bond Adhesive to threads; then tighten. Note that item 9 has left-hand threads. Openings in items 2 and 4 must be aligned to freely permit through assembly of a 1.255 diameter pin.
2. Degrease 6, 7, 8, 9 and 12 and apply molykote 321R and molykote paste #G-N lubricant all over the bearing surfaces (unless previously lubricated), and allow to dry. Coat the surfaces. Do not rely on bearing operation to distribute the lube.
3. Assemble item 8 over item 9.

**Repair Kits Available**

1. BZ730 Cam Roller Kit — Includes items 3, 4, 5, 11, 12, 13
2. BZ732 Bushing Roller Kit — Includes items 6 & 14
3. BZ734 Single Roller Kit — includes items 8, 9, & 15

<b>Bend Angle Decals Available</b>		
	<b>Short Stroke Cylinder</b>	<b>Long Stroke Cylinder</b>
Old Shoes (pre-2005)	DC400	DC400
New Shoes (post-2005)	DC404	DC405

**Repair Parts**

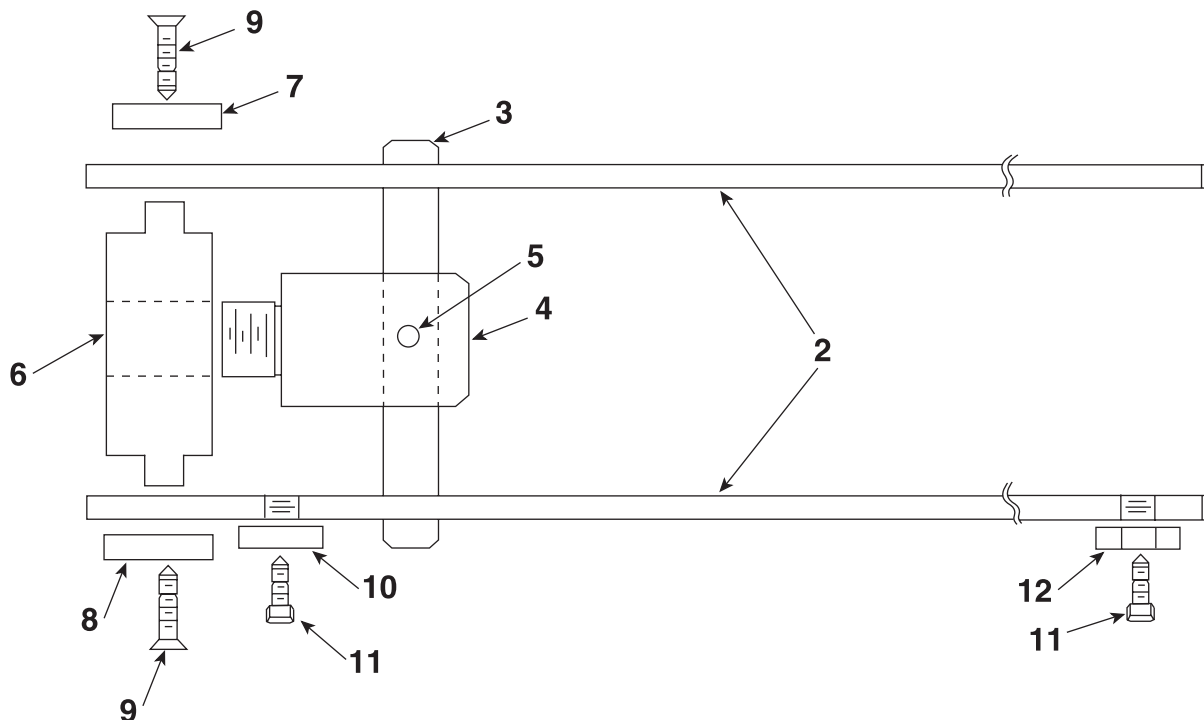
- \*BZ74: Double Anchor Frame Pin
- \*BZ76: U-Strap Pin
- \*BZ78: Bend Shoe Pin

<b>Replacement Parts</b>							
<b>Item</b>	<b>Part #</b>	<b>Qty Needed</b>	<b>Description</b>	<b>Item</b>	<b>Part #</b>	<b>Qty Needed</b>	<b>Description</b>
1	ZCF858101	1	Plate Assembly (Top)	9	CF863104	1	Roller Axle (NSS)
2	ZCF857101	1	Plate Assembly (Bottom)	10	CM191044	1	Retaining Ring
3	CF859489	1	Retaining Collar (NSS)	11	ZCM192281	1	Roller Assembly (NSS)
4	CF860013	1	Pilot Keyway (NSS)	12	CM193350	1	Roller Cam
5	CH204028	4	5/16-18 UNC x 3/4" BHCS	13	ZB1021028	1	1/4-20 UNF x 1-1/4" SHCS
6	CF862281	2	Roller (Short) (NSS)	14	CH819044	1	Wire, Retaining
7	CF861108	2	Roller Bushing (Short)	15	CH951044	1	Ring, Retaining
8	CK579281	1	Roller (NSS)				

Items Noted "(NSS)" are not sold separately, only available in kits shown above.

\*Not Shown

## Model BZ70 (shown)



### Replacement Parts

Item	Part #	Qty Needed	Description	Item	Part #	Qty Needed	Description
1	DC405*	1	Decal, Bend Angle	7	CB779046	1	Pad
2	CA892103	2	Load Arm (Top or Bottom)	8	CB830817	1	Catch
3	CA914061	1	Pivot Pin	9	CH577028	2	5/8-11 UNC x 7/8" FHCS
4	CA915132	1	Rod Eye	10	CB846046	2	Rest Pad
5	CB610028	1	3/8-16 UNC x 1/2" set screw	11	CF390028	4	1/2-13 UNC x 3/4" HHCS
6	CH177132	1	Cylinder Yoke	12	CF102145	1	Stablizer Bar

\*Not Shown

**REPAIR AND SERVICE INSTRUCTIONS:** For repair service and parts contact your nearest Gardner Bender Service Center. The Gardner Bender Service Center will provide complete and prompt service on all Gardner Bender products.

**PARTS AND SERVICE:** For quality workmanship and genuine Gardner Bender parts, select an Authorized GB Service Center for your repair needs. Only repairs performed by an Authorized Service Center displaying the official GB Authorized sign are backed with full factory warranty. Contact Gardner Bender (414)352-4160 for the name of the nearest GB Authorized Service Center.

**WARRANTY:** Gardner Bender warrants its product against defects in workmanship and materials for 1 year from date of delivery to user. Chain is not warranted. Warranty does not cover ordinary wear and tear, abuse, misuse, overloading, altered products or use of improper fluid.

**WARRANTY RETURN PROCEDURE:** When question of warranty claim arises, send the unit to the nearest GB Authorized Service Center for inspection, transportation prepaid. Furnish evidence of purchase date. If the claim comes under the terms of our warranty the Authorized Service Center will REPAIR OR REPLACE PARTS AFFECTED and return the unit prepaid.

