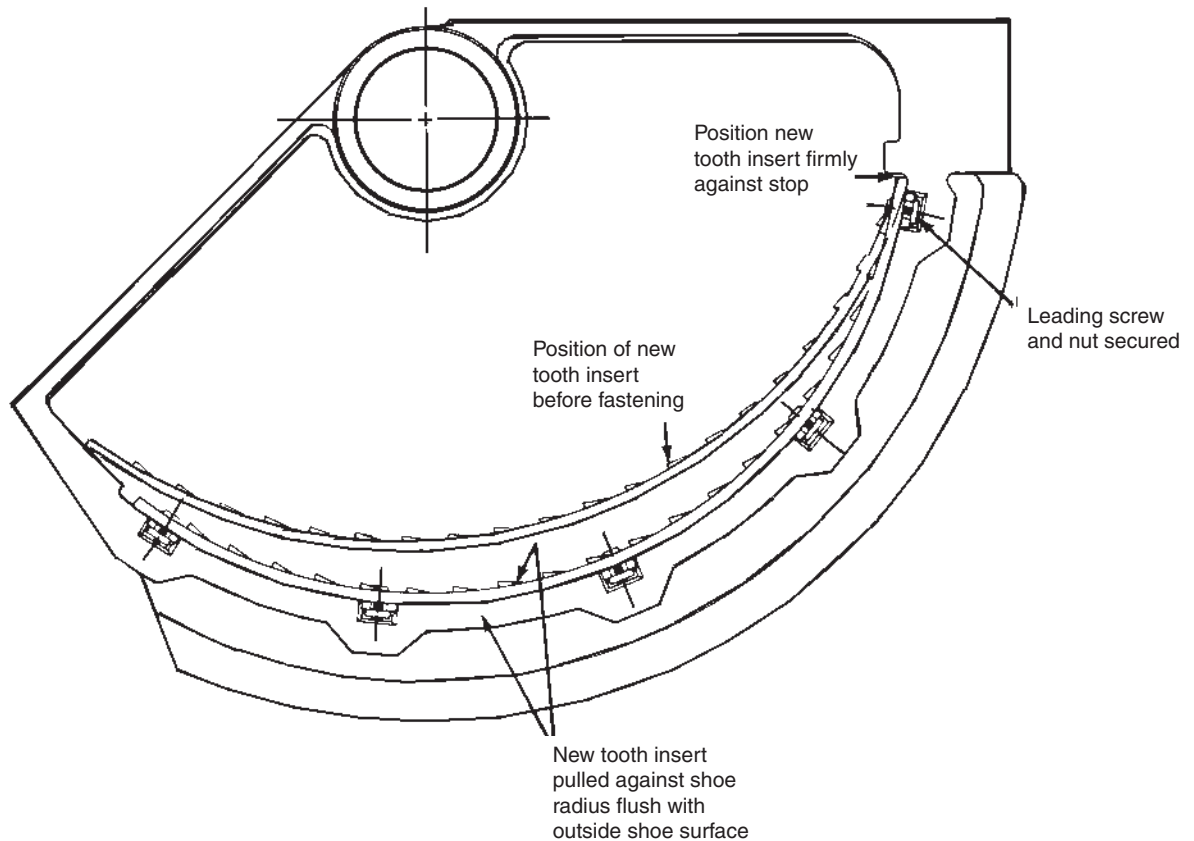


IMPORTANT: RECEIVING INSTRUCTIONS

Visually inspect all components for shipping damage.
If any shipping damage is found, notify carrier at once.

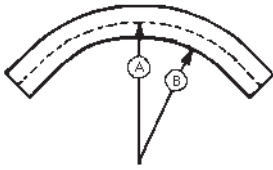
Shipping damage is NOT covered by warranty. The carrier is responsible for all repair or replacement costs resulting from damage in shipment.

SAFETY FIRST



1. Remove old tooth insert by unfastening five (5) screws and nuts. Discard old insert, screws, and nuts.
2. Position new tooth insert, (as shown) with leading edge of tooth insert placed firmly against shoe stop. Pull insert against shoe radius, flush with outside surface.
3. Fasten tooth insert in place (using screws and nuts supplied with new insert), beginning with leading screw and nut position (as shown), and moving toward the back until all five (5) screws and nuts are firmly secured.

Bender Shoe Radii Table



This radii table is provided for your general information. The Centerline (A) and Inside Radius (B) are shown for each shoe. In selecting a bender set, compare the shoe model number with this table for complete shoe radii information.

Type of Conduit and Pipe	Nominal Size Shoe	Pipe Size		Pipe Bend Centerline (A) Radius (in)	Pipe Bend Inside (B) Radius (in.)	Bending Shoe Model No.
		Actual O.D.	Fractional O.D.			
IMC	1/2"	0.815	13/14	3-1/4	2-13/16	BR-57510/ BR-11000
	3/4"	1.029	1-1/32	5	4-1/2	
	1"	1.290	1-19/32	6-7/16	5-3/4	
	1-1/4"	1.638	1-41/64	8-1/16	7-1/4	BR-12515/ BR-11500
	1-1/2"	1.883	1-47/64	9-9/16	8-5/8	
Steel Rigid, Aluminum Rigid	1/2"	0.840	27/32	3-1/4	2-13/16	BR-57510/ BR-11000
	3/4"	1.050	1-1/16	5	4-1/2	
	1"	1.315	1-5/16	6-7/16	5-3/4	
	1-1/4"	1.660	1-21/32	8-1/16	7-1/4	BR-12515/ BR-11000
	1-1/2"	1.900	1-29/32	9-9/16	8-5/8	
Aluminum Rigid	2"	2.375	2-3/8	9-5/16	8-1/8	BR-20000/ BR-12000
Thinwall (EMT)	1/2"	0.706	23/32	3-5/16	2-15/16	BT-57510/ BT-11000
	3/4"	0.922	15/16	5-1/16	4-5/8	
	1"	1.163	1-5/32	6-7/16	5-7/8	
	1-1/4"	1.510	1-1/2	9-7/8	9-1/8	BT-12515/ BT-11500
	1-1/2"	1.740	1-3/4	11-3/8	10-1/2	
	2"	2.197	2-3/16	9-1/2	8-3/8	BT-2000/ BT-12000

REPAIR AND SERVICE INSTRUCTIONS: For repair service and parts contact your nearest Gardner Bender Service Center. The Gardner Bender Service Center will provide complete and prompt service on all Gardner Bender products.

<p>PARTS AND SERVICE: For quality workmanship and genuine Gardner Bender parts, select an Authorized Gardner Bender Service Center for your repair needs. Only repairs performed by an Authorized Service Center displaying the official Gardner Bender Authorized sign are backed with full factory warranty. Contact Gardner Bender (414)352-4160 for the name of the nearest Gardner Bender Authorized Service Center.</p>	<p>WARRANTY: Gardner Bender warrants its product against defects in workmanship and materials for 1 year from date of delivery to user. Chain is not warranted. Warranty does not cover ordinary wear and tear, abuse, misuse, overloading, altered products or use of improper fluid.</p>	<p>WARRANTY RETURN PROCEDURE: When question of warranty claim arises, send the unit to the nearest Gardner Bender Authorized Service Center for inspection, transportation prepaid. Furnish evidence of purchase date. If the claim comes under the terms of our warranty the Authorized Service Center will REPAIR OR REPLACE PARTS AFFECTED and return the unit prepaid.</p>
--------------------------------------------------------------------------------------------------------------------------------------------------------------------------------------------------------------------------------------------------------------------------------------------------------------------------------------------------------------------------------------------------------------------------------------	---------------------------------------------------------------------------------------------------------------------------------------------------------------------------------------------------------------------------------------------------------------------------------------------------	---------------------------------------------------------------------------------------------------------------------------------------------------------------------------------------------------------------------------------------------------------------------------------------------------------------------------------------------------------------------------------------

